

LITTLE WONDER®

SHO



**Suburban High Output Blower
Owners Manual and Safety Instructions**

**Soufflante à grand débit Suburban
Manuel d'utilisation et Consignes de sécurité**

**Soplador "Suburban" de alta capacidad
Manual del propietario e instructivo de seguridad**

Table of Contents

Important Information

Introduction1
Service Information1
Special Safety Information1

Safety and Warnings

Safety Decals2
General Safety Rules3
Warnings - "Don'ts"3
Warnings - "Do's"3
Engine/ Fuel Warnings - "Don'ts"4
Engine/ Fuel Warnings - "Do's"4

Assembly Instructions4

Operation5

Maintenance5

Part Explosions6

WarrantyBack Cover

MANY USES :

The extreme versatility offered by Little Wonder's line of blowers makes them ideally suited for a wide variety of jobs - blowing leaves, grass clippings, thatch, blowing tennis courts dry, cleaning large driveways, stadiums, parking lots and other hard surfaces, precleaning roofs before repair and countless other jobs.

Important Information

A. Introduction

On behalf of everyone at Little Wonder, we would like to thank you for your purchase of a Little Wonder Gasoline Powered Suburban High Output Blower. This professional blower was designed to the highest standards to ensure you many hours of uninterrupted service.

This manual provides the information necessary for safe and efficient operation and service. For your safety, it is critically important that you read and understand this entire manual before operating your blower.

B. Service Information

Engine

- Refer to the enclosed Engine Manual provided by the engine manufacturer.
- Or an authorized repair service of the manufacturer.

Other Components

- Contact your local Little Wonder dealer.

C. Special Safety Information

▲ WARNING ▲ DANGER ▲
THE ENGINE EXHAUST FROM THIS PRODUCT CONTAINS CHEMICALS KNOWN TO THE STATE OF CALIFORNIA TO CAUSE CANCER, BIRTH DEFECTS OR OTHER REPRODUCTIVE HARM.

▲ WARNING ▲ DANGER ▲
ATTENTION: THIS SYMBOL POINTS OUT OUR IMPORTANT SAFETY INSTRUCTIONS
▲ WHEN YOU SEE THIS SYMBOL ▲
HEED ITS WARNING! STAY ALERT!

▲ WARNING ▲ DANGER ▲
TO REDUCE THE POTENTIAL FOR ACCIDENTS, COMPLY WITH THE SAFETY INSTRUCTIONS IN THIS MANUAL. FAILURE TO COMPLY MAY RESULT IN SERIOUS PERSONAL INJURY AND OR EQUIPMENT AND PROPERTY DAMAGE.

Safety and Warnings

A. Safety Decals

An important part of the safety system incorporated in this blower are the warnings and informational decals found on various parts of the blower. These decals must be replaced if they become illegible due to abrasion, etc. It is your responsibility to replace the decals when they become hard to read. The location of these decals and their part numbers for ordering are shown below.

▲ WARNING ▲ DANGER ▲

IMPROPER USE OR CARE OF THIS BLOWER, OR FAILURE TO WEAR PROPER PROTECTION CAN RESULT IN SERIOUS INJURY.

READ AND UNDERSTAND THE RULES FOR SAFE OPERATION AND ALL INSTRUCTIONS IN THIS MANUAL.

WEAR HEARING AND EYE PROTECTION

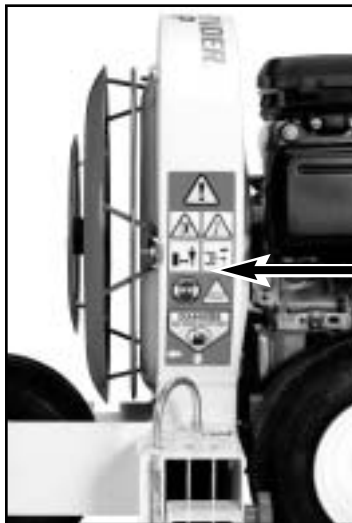
Caution:
Thrown objects.



Keep bystanders away.



Always wear eye and ear protection.



Location of label on blower



Before performing any service or maintenance, disconnect spark plug wire. Make sure throttle is in STOP position.



Read and understand the Owners Manual. Pay particular attention to all sections regarding safety. Store your Owners Manual in a safe place.



Keep hands and feet away from air discharge areas. Rotating fan will cause serious injury.



P/N 910609
Warning Label

General Safety Rules

1. Read and understand the owner's manual. Pay particular attention to all sections regarding safety. Store your owners manual in a safe place.

▲ WARNING ▲ DANGER ▲

2. KEEP CHILDREN, PETS, AND BYSTANDERS AWAY - DO NOT PERMIT CHILDREN TO CONTACT BLOWER. KEEP CHILDREN A SAFE DISTANCE FROM WORK AREA. NEVER ALLOW A PERSON MENTALLY ILL, UNDER INFLUENCE OF ALCOHOLIC DRINKS OR DRUGS OR TOO YOUNG IN AGE, TO OPERATE THE BLOWER.

3. DON'T OVERREACH OR STAND ON UNSTABLE SUPPORT. - Keep good footing and balance at all times.
4. MULTIPLE OPERATORS - Keep a safe distance between two or more operators when working together simultaneously.

▲ WARNING ▲ DANGER ▲

FAN COASTS AFTER TURN OFF.

▲ WARNING ▲ DANGER ▲

IF BLOWER IS USED IMPROPERLY OR SAFETY PRECAUTIONS ARE NOT FOLLOWED, THE USER RISKS SERIOUS INJURY TO THEMSELVES AND OTHERS.

READ AND UNDERSTAND THE FOLLOWING BEFORE ATTEMPTING TO OPERATE THIS BLOWER.

A. ▲ Warnings - "Don'ts"

▲ WARNING ▲ DANGER ▲

1. DANGER ROTATING FAN - KEEP HANDS AWAY. DON'T ATTEMPT TO REMOVE MATERIALS FROM INTAKE OR DISCHARGE WHEN BLOWER IS RUNNING.

▲ WARNING ▲ DANGER ▲

2. DANGER - DO NOT INSTALL OR REMOVE ATTACHMENTS WHILE BLOWER IS RUNNING. TURN OFF ENGINE TO MAKE CHANGEOVER. BE SURE THROTTLE IS IN THE STOP POSITION, AND THE BLOWER HAS COME TO A COMPLETE STOP. REMOVE THE SPARK PLUG WIRE BEFORE REMOVING MATERIAL.

3. **DO NOT POINT THE BLOWER OUTLET** in the direction of people, cars, glass, or other similar items which could be injured or damaged by blown debris.
4. **DO NOT ATTEMPT TO REPAIR BLOWER** - Have repairs made by qualified Little Wonder dealer or repairman. See that only Little Wonder and recommended engine manufacturers replacement parts are used.

B. ▲ Warnings - "Do's"

1. **DRESS PROPERLY** — Do not wear loose clothing or jewelry. They can be caught in moving parts. Use of sturdy gloves, non-skid footwear and safety glasses are recommended. Always wear ear protectors where possible. Use face filter to avoid breathing dust.
2. **STAY ALERT** — Watch what you are doing and use common sense. Do not operate blower when fatigued.
3. **KEEP HANDS AWAY FROM AIR INTAKE AND AIR OUTLET CHUTE** — Keep both hands on handles when power is on.
4. **MAINTAIN AND EXAMINE BLOWER WITH CARE** — Follow maintenance instructions given in manual. Do not use the blower if the muffler is defective or missing.
5. **STORE BLOWER INDOORS** — When not in use, store blower indoors in a sheltered, dry area where it's not accessible to children. The blower, as well as fuel, should not be stored in a house. Keep throttle in the stop position.
6. **BE SURE BLOWER IS FULLY ASSEMBLED** — Never operate blower without all guards and deflectors in place. Ensure that all nuts, bolts, screws are installed and properly tightened.
7. **KEEP THE THROTTLE IN THE "STOP" POSITION WHEN NOT IN USE.**
Always keep a safe distance between two or more operators when working together simultaneously.

▲ WARNING ▲ DANGER ▲

8. WARNING! IN ORDER TO AVOID ENGINE DAMAGE DUE TO OVER-HEATING OR OVER-REVVING, KEEP ENGINE RECOIL STARTER ASSEMBLY, THE BLOWER INTAKE AND OUTLET AREAS CLEAR AND FREE OF LEAVES OR OTHER DEBRIS.

C. Engine/ Fuel Warnings - "Don'ts"

 **WARNING**  **DANGER** 

HANDLE FUEL WITH CARE, IT IS HIGHLY FLAMMABLE. FUELING A HOT ENGINE OR NEAR AN IGNITION SOURCE CAN CAUSE FIRE AND RESULT IN SERIOUS PERSONAL INJURY AND/OR PROPERTY DAMAGE.

1. **Do not** smoke while handling fuel.
2. **Do not** refuel a hot or running engine.
3. **Do not** fill tank indoors.
4. **CAUTION** — **Do not** start or run engine indoors as poisonous carbon monoxide is emitted.
5. **Do not** operate in unventilated area.
6. **Do not** use the blower when electric system causes spark outside the cylinder. Check spark plug from time to time. When checking, keep plug a safe distance from cylinder to avoid burning of evaporated fuel from cylinder.

D. Engine/ Fuel Warnings - "Do's"

1. **HANDLE GASOLINE WITH CARE. IT IS HIGHLY FLAMMABLE.** Refuel before starting work.
2. **Always** use fresh gasoline. Stale gasoline can cause leakage.
3. **Always** pull starter cord slowly until resistance is felt. Then pull cord rapidly to avoid kick-back and prevent arm or hand injury.
4. **Replace** gasoline cap securely. If fuel is spilled move blower and fuel container from area and do not create a source of ignition.
5. **Avoid** spilling fuel or oil. Always wipe unit dry before using. Move at least 10 feet away from the fueling point before starting engine.
6. **Always** store gasoline in an approved container. Fill tank outdoors with extreme care.

Blower Assembly Instructions

**NOTE : Numbers in brackets (#) represent Key Numbers shown on Parts List, and parts explosion. See pages 9-11.*

1. Install lower handles (30) on top of deck (32, 33). Secure with four cap screws 5/16-18 x 1 3/4 (34), four 5/16 flat silver washers (31), and four 5/16-18 nylon nuts (2), finger tight.
2. Install upper handle (17) with four cap screws 5/16-18 x 1 3/4 (34), eight 5/16 washers (31), and four 5/16-18 nylon nuts (2), finger tight. Tighten lower handle nuts and bolts. Tighten upper handle nuts and bolts until the lower handle tubing pinches the upper handle. It will be normal for the lower handle tubing to crush slightly.
3. Attach throttle cable to upper handle with 1/4-20 x 1 3/4" cap screw (19) and 1/4-20 lock nut (22) through hole on upper handle (17). It will mount on the left. Insert the 10-32 x 3/4" self-tapping screw through the hole of the throttle control and into the pilot hole in the handle and tighten. (NOTE: Over tightening the screw on the left hand mounted controls could cause damage to the control.) Once the 10-32 screw is tightened, go back to the 1/4-20 screw and tighten it enough to get a smooth action in the control. If the throttle does not maintain it's setting once you start the engine, tighten this screw some more. Connect throttle clip (15) to upper handle.
4. Tilt blower back on handle and install front wheel bracket (51) over the three studs on lower front of blower housing. Secure with three 5/16-18 flange nuts (5).
5. Insert pneumatic wheel sleeve (53) in front pneumatic wheel (52). Install pneumatic wheel spacers (54) over the axle sleeve on both sides of wheel and install in front wheel bracket (51). Insert 3/8-16 x 5 1/4 axle bolt (50) through wheel bracket and axle sleeve. Secure with 3/8-16 axle nut (49).

 **WARNING**  **DANGER** 

ALL LITTLE WONDER BLOWERS ARE SHIPPED WITHOUT OIL. WHEN FILLING OIL - USE SAE 30 OIL. REFER TO ENGINE MANUFACTURES INSTRUCTION MANUAL FOR PROPER ENGINE OPERATION INSTRUCTIONS.

Operating Instructions

Refer to Engine Manual for Engine Operation.

Little Wonder recommends using SAE 30 Oil. The use of multi-viscosity oil will result in high oil consumption and possible engine damage.

Leaves, thatch or other debris can be directed into windrows or piles, by simply maneuvering the unit and directing the flow of air accordingly.

Air flow can be directed to the side or front by the two-position deflector. The front discharge position is used to remove debris from along walls, fences, etc. the side discharge position is used to form windrows or piles. The horizontal deflector directs air downward to "chisel" under wet, heavy leaves and litter. The velocity is regulated by the throttle control.

Moving the deflector to the upper hole allows for a greater volume of air to be directed downward. Moving the deflector to the lower hole allows for a greater volume of air to be directed upward. To reduce windrowing or to blow over obstacle, point deflector upward.

Slight changes in deflector will have a big effect on air flow. Experiment until you find the best position for your needs.

For best performance, be sure engine recoil starter assembly, the blower intake and outlet areas are clear and free of leaves or other debris.

Maintenance Instructions

1. Keep all nuts, bolts, and screws tight.
2. Never store the Blower with fuel in its fuel tank inside a building or in a confined space where fumes may reach an open flame or sparks.
3. Always refer to the instruction manual for important details if the product is to be stored for an extended period.
4. Engine - 4 cycle. (Refer to engine manufacturer's operating instructions for fuel recommendations and additional information.)
5. Tires - Tubeless. Inflate to air pressure of 30 P.S.I.
6. Labels should be inspected before each use. Replace damaged labels immediately.

Maintenance Instructions Con't

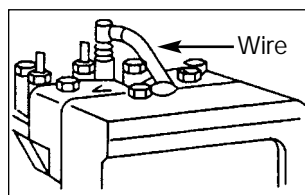
Check oil level regularly. Be sure correct oil level is maintained. Check oil level after every 5 hours of operation, or daily, before starting engine. Use SAE 30 Oil.

Important: Change oil after first 5 hours of operation. This is extremely important to insure the long life of your Honda GC160 Engine. The GC160 breaks in and delivers full power quickly. The by-products of break in must be removed by changing the oil after the first five hours of operation, per Engine Manufacturers recommendations. Remove drain plug and drain oil while engine is warm. Replace drain plug. Remove oil fill plug and refill with new oil. Start and run engine at idle for 30 seconds. Stop engine. Wait 30 seconds and re-check oil level. If required, add oil to overflowing at oil fill plug. Honda owners' manual shows drawing of oil being drained from muffler side of engine. Little Wonder provides an oil drain slot in deck for draining oil from opposite side (gas tank side) of engine. Draining oil from gas tank side oil drain plug may be easier.

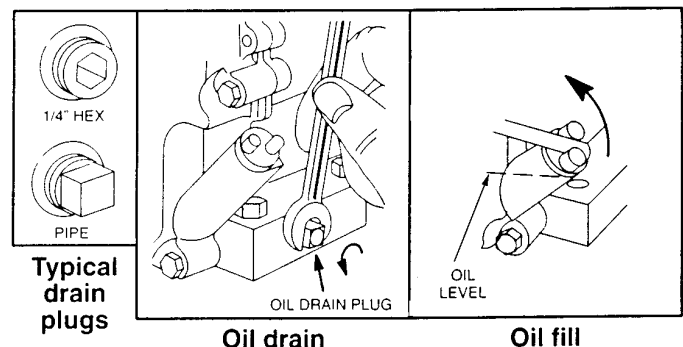
Directions For Fan Removal:

(This procedure must be done by qualified Little Wonder dealer)

1. Remove intake guard and front panel.
2. Remove bolt and washer securing fan to engine crankshaft.
3. The fan has a 3/4-16 nut welded on the fan hub. Insert a 3/4-16 grade 5 or grade 8 bolt and rotate this bolt to jack (or push) the fan off the engine. (Little Wonder part #910515 pressure screw is recommended.)
4. Reassemble using flat washer (#920503) and new bolt (#920502) with Loctite #242.



To prevent accidental starting, remove spark plug wire when servicing engine or equipment.

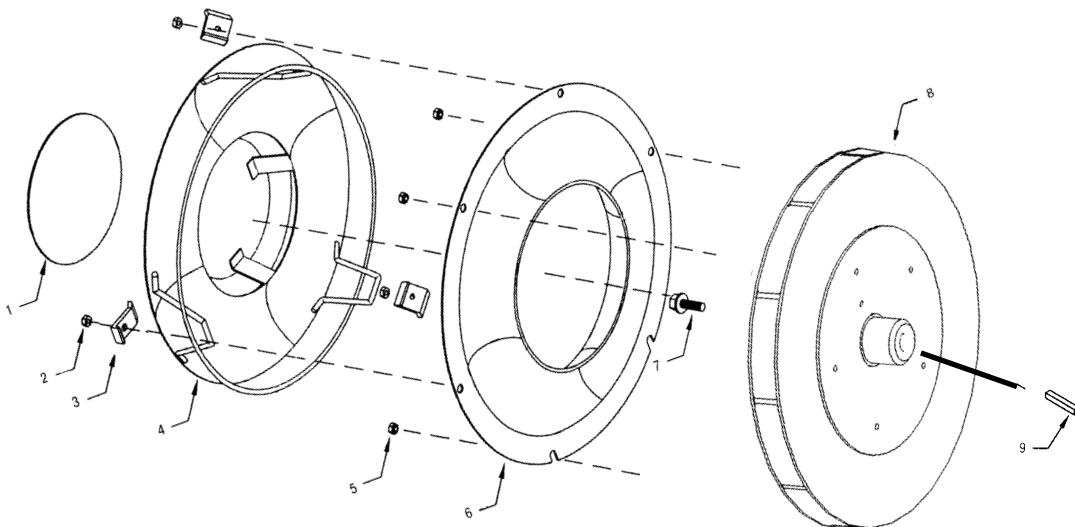


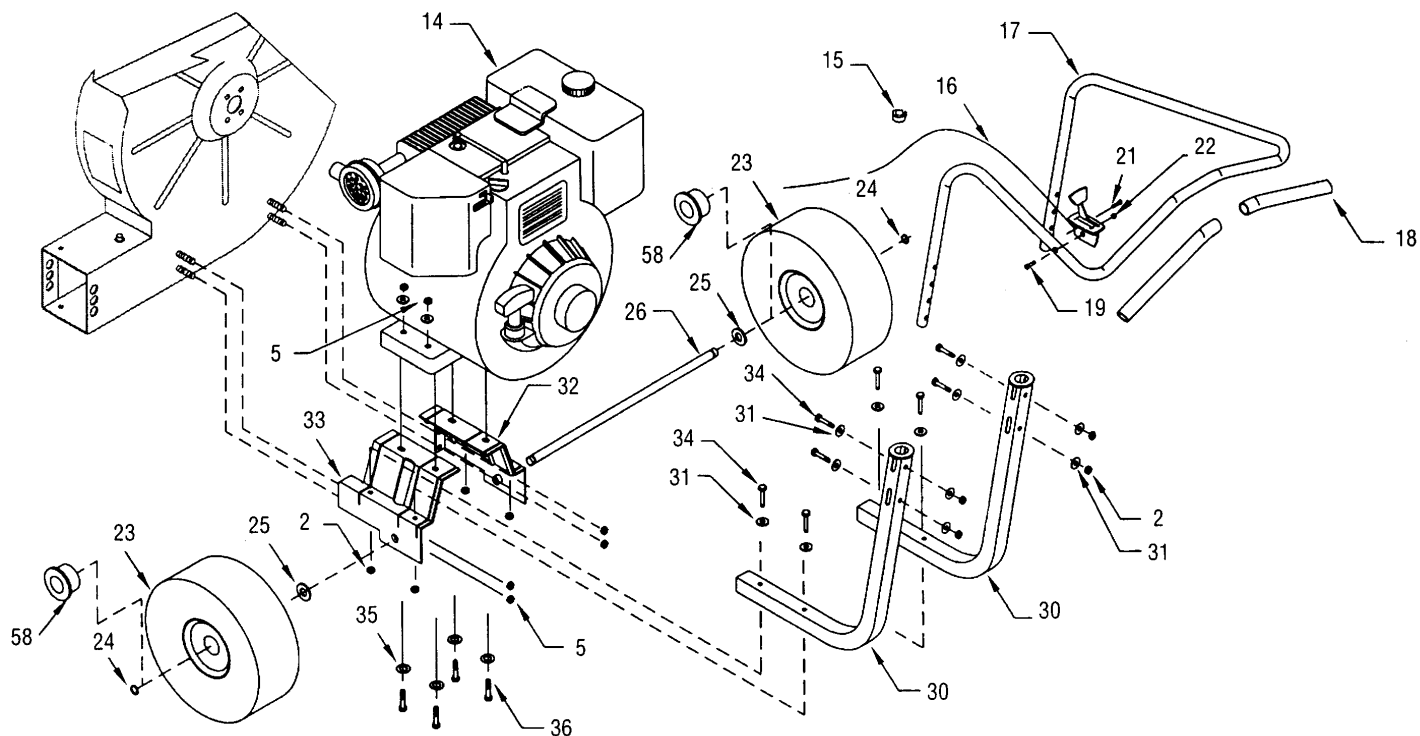
Blower Bolt/Nut Torque Specifications

Location	Bolt / nut size	P/N	Min. torque Ft-Lbs (in-lbs)	Max. Torque Ft-Lbs (in-lbs)
Housing to engine face	5/16-24 x 3/4 flange head	910503	22 (264)	28 (336)
Deck to housing	5/16-18 flange nut	114-B	16 (192)	22 (276)
Engine to deck	5/16-18 x 1 gr 5	113	19 (228)	25 (300)
Lower handle to deck	5/16-18 x 1.75 gr 5	942	19 (228)	25 (300)
Upper handle to lower handle	5/16-18 x 1.75 gr 5	942	19 (228)	25 (300)
Throttle to handle	1/4-20 X 1.5 gr 2	378	4 (48)	6 (72)
Interior deflector to hook	10-32 x .625 flange head gr 5	329	(52)	(71)
Fan to crankshaft (95 oz)	5/16-24 x 1.75 hex head bolt gr 8	920502	16 (190)	18 (220)
Fan to crankshaft (95 oz)	3/8 - 24 x 1.5 flange head gr 5	910518	39	51
Front panel to housing (short stud)	5/16-18 flange nut	114-B	16 (192)	22 (276)
Intake guard clamp (long stud)	5/16-18 muloc nut	114-C	—	8 (100)
Wheel bracket to housing	5/16-18 flange nut	114-B	16 (192)	22 (276)
Front wheel axle bolt	3/8-16 x 5.25 gr 5	900501	34	45

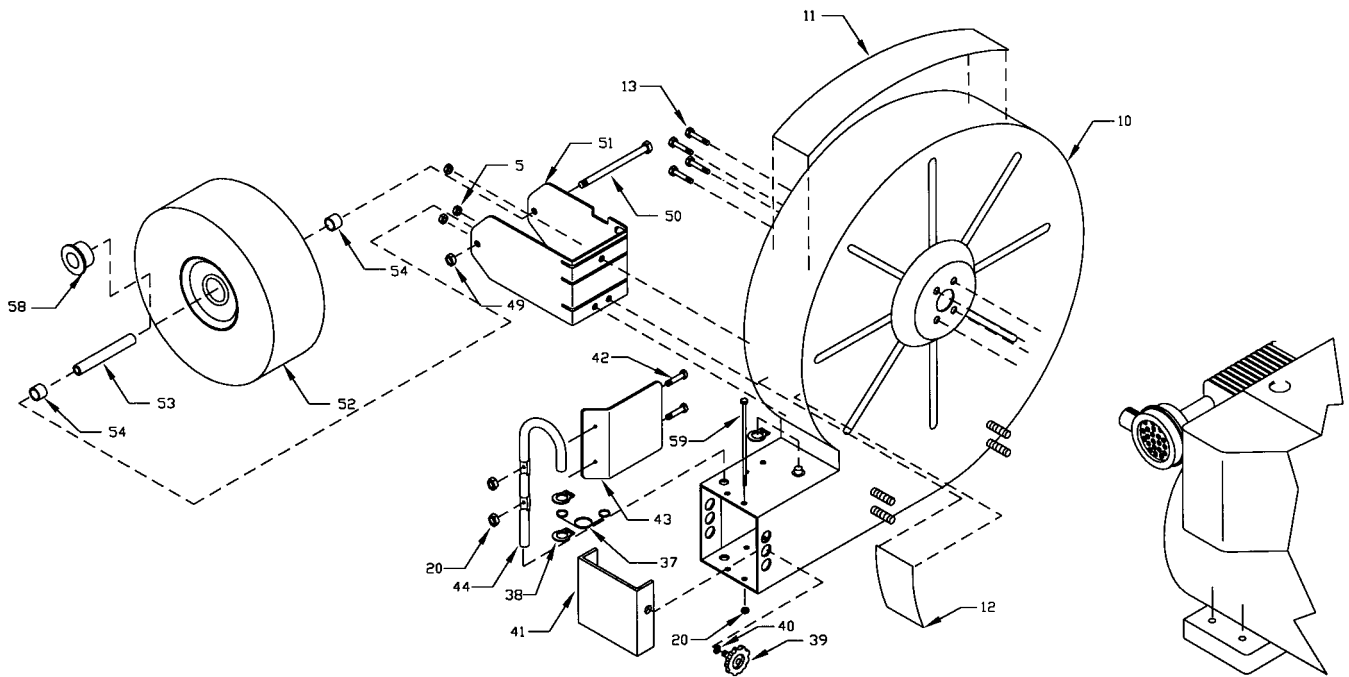
Parts Explosions

Key#	Part#	Description	9502 Quantity	9602 Quantity
1	910610	Intake Guard Label	1	1
2	920600	5/16 - 18 Nylon Insert Nut	11	11
3	911130	Intake Guard Clamp	3	3
4	921100	Intake Guard Assy	1	1
5	114B	5/16 - 18 Serrated Flanged Lock Nut	14	14
6	921120	Front Panel	1	1
7	920502	5/16 - 24 x 1.75" hex head bolt gr 8	1	-
7	910518	3/8 - 24 x 1.5 flange head gr 5	-	1
8	920200	5 HP Fan SHO Assy	1	-
8	920208	6 HP Fan SHO Assy	-	1
9	117	Key 3/16 x 3/16 x 1"	1	-
9	915	Key 1/4 x 1/4 x 2"	-	1
10	920503	Washer, 5/16 flat, thick	1	1





Key #	Part #	Description	9502 Quantity	9602 Quantity
2	114C	5/16-18 Nylon Insert Nut	11	11
5	114B	5/16-18 Serrated Flanged Lock Nut	14	14
14	910916	5 HP Honda Engine Honda	1	-
14	910914	6 HP Engine Briggs	-	1
15	946	Throttle Clip	1	1
16	910301	Throttle Cable	1	1
17	900301	Upper Handle	1	1
18	900302	Grip (set of 2)	1	1
19	179	1/4-20 x 1 3/4 HHCS gr5	1	1
21	910526	10-32 x 3/4 Self tapping Sheet Metal Screw	1	1
22	972	1/4-20 2-Way Lock Nut	1	1
23	920300	Pneumatic Wheel Offset,12" DIA Assy	2	2
24	312	Retaining Ring	2	2
25	405-1	5/8 SAE Flat Washer	2	2
26	932-1	Axle	1	1
30	916-2	Lower Handle	2	2
31	163	5/16 Flat Washer	12	12
32	920007	6/8/10 HP Right Blower Deck	1	1
33	920009	6/8/10 HP Left Blower Deck	1	1
34	942	5/16-18 x 1.75 HHCS gr5	8	8
35	129D	5/16 Regular Split Lock Washer	4	4
36	113	5/16-18 x 1.5 HHCS	4	4
58	934B	Pneumatic Wheel Bearing	6	6



Key#	Part#	Description	9502 Quantity	9602 Quantity
5	114B	5/16-18 Serrated Flanged Lock Nut	14	14
10	920000	5 HP SHO Housing	1	1
11	920602	Little Wonder Housing Label - 5 HP	-	1
11	910629	Little Wonder Housing Label - 6 HP	1	-
12	920603	SHO Warning Label	1	1
13	910503	5/16-24 x 3/4 Whiz Head Flange Bolt	4	4
20	973	10-32 2-Way Lock Nut	6	6
37	910130	Deflector Spring	1	1
38	8-18	Retaining Ring	3	3
39	910131	Knob	1	1
40	963	5/16 External Tooth Lock Washer	1	1
41	910100	6 HP Side Deflector	1	1
42	329	10-32 x 5/8 Serrated Flange Screw	2	2
43	910105	6 HP Internal Deflector	1	1
44	910132	Deflector Handle	1	1
49	102B	3/8-16 2-Way Lock Nut	1	1
50	900501	3/8-16 x 5 1/4 Bolt	1	1
51	910402	Painted HO Wheel Bracket	1	1
52	934	Pneumatic Wheel Symetrical	1	1
53	900404	Pneumatic Wheel Sleeve	1	1
54	900405	Front Wheel Bracket Spacer	2	2
58	934B	Pneumatic Wheel Bearing	6	6
59	300507	10-32 x 5 1/2 Hex M/S	4	4

**5 YEAR LIMITED SERVICE & WARRANTY POLICY
FOR GASOLINE POWERED
SUBURBAN HIGH OUTPUT BLOWERS**

All *Little Wonder* Gasoline Powered High Output blowers are guaranteed against defects in material and workmanship for a period of FIVE YEARS from date of purchase, when used for RESIDENTIAL SERVICE, or COMMERCIAL SERVICE. Any *Little Wonder* Gasoline powered Suburban High Output Blower or part found to be defective within the warranty period is to be returned to any registered *Little Wonder* dealer.

Engines for all gasoline powered products are warranted separately by the engine manufacture. Therefore, there are no warranties made, expressed or implied, for engines for gasoline powered products by *Little Wonder*.

Transportation charges for parts and units submitted for replacement under this warranty must be borne by the purchaser.

THIS WARRANTY shall not be effective if the product has been subject to misuse, negligence or accident, or if the product has been repaired or altered outside of our Southampton factory or authorized repair facility in any respect which affects its condition or operation.

Little Wonder shall not be liable for any special indirect or consequential damages arising from defective equipment. Any implied warranty, including merchantability of fitness for a particular purpose, shall not extend beyond the written warranty period.

THIS WARRANTY shall only be effective if the enclosed Warranty/Registration card is properly filled out and returned to Little Wonder, Div. of Schiller-Pfeiffer, Inc. at time of purchase.

▲ WARNING ▲ DANGER ▲

THE ENGINE EXHAUST FROM THIS PRODUCT
CONTAINS CHEMICALS KNOWN TO THE STATE OF
CALIFORNIA TO CAUSE CANCER, BIRTH DEFECTS
OR OTHER REPRODUCTIVE HARM.

LITTLE WONDER[®]
DIVISION OF SCHILLER-PFEIFFER, INCORPORATED
1028 STREET ROAD, P.O. BOX 38
SOUTHAMPTON, PA 18966
PHONE 877-596-6337 • FAX 215-357-8045

www.littlewonder.com

LITTLE WONDER®

SHO



**Suburban High Output Blower
Owners Manual and Safety Instructions**

**Soufflante à grand débit Suburban
Manuel d'utilisation et Consignes de sécurité**

**Soplador "Suburban" de alta capacidad
Manual del propietario e instructivo de seguridad**

Table des matières

Informations importantes

Introduction	1
Informations sur l'entretien	1
Informations spéciales sur la sécurité	1

Sécurité et avertissements

Décalcomanies de sécurité	2
Consignes générales de sécurité	3
Avertissements – Ce qu'il ne faut pas faire ...	3
Avertissements – Ce qu'il faut faire	3
Avertissements concernant le moteur et le carburant – Ce qu'il ne faut pas faire	4
Avertissements concernant le moteur et le carburant – Ce qu'il faut faire	4

Consignes d'assemblage

Consignes d'utilisation

Entretien

Vues éclatées

GarantieCouverture arrière

NOMBREUSES UTILISATIONS :

La très grande souplesse d'emploi offerte par les soufflantes de la gamme Little Wonder les rend parfaitement adaptées à un vaste éventail de tâches -- soufflage des feuilles, de l'herbe coupée et du chaume, séchage des courts de tennis, nettoyage des grandes allées de garage, des stades, des terrains de stationnement et autres surfaces dures, pré-nettoyage des toitures avant leur réfection, ainsi qu'un nombre presque infini d'autres applications.

Informations importantes

A. Introduction

Au nom de tous les membres du personnel de Little Wonder, nous aimerions vous remercier d'avoir acheté une soufflante à essence à grand débit Suburban. Cette soufflante professionnelle a été conçue en fonction des normes les plus élevées pour vous assurer de nombreuses heures de service ininterrompu.

Ce manuel contient les informations nécessaires à une utilisation et un entretien sûrs et efficaces. Pour votre sécurité, il est crucial que vous lisiez et compreniez tout ce manuel avant d'utiliser votre soufflante.

B. Informations sur l'entretien

Moteur

- Se reporter au manuel ci-joint fourni par le constructeur du moteur.
- ou faire appel à un centre de service agréé du constructeur.

Autres composants

- Contacter le revendeur Little Wonder local.

C. Informations spéciales sur la sécurité

▲ AVERTISSEMENT ▲ DANGER ▲
L'ÉCHAPPEMENT DU MOTEUR DE CE PRODUIT CONTIENT DES PRODUITS CHIMIQUES DÉCLARÉS PAR L'ÉTAT DE LA CALIFORNIE RESPONSABLES DE CANCER, MALFORMATIONS CONGÉNITALES OU AUTRES ANOMALIES DE LA REPRODUCTION.

▲ AVERTISSEMENT ▲ DANGER ▲
ATTENTION : CE SYMBOLE ATTIRE L'ATTENTION SUR NOS IMPORTANTES CONSIGNES DE SÉCURITÉ.
▲ LORSQUE VOUS VOYEZ CE SYMBOLE, ▲
SUIVEZ SON AVERTISSEMENT !
SOYEZ VIGILANT !

▲ AVERTISSEMENT ▲ DANGER ▲
POUR RÉDUIRE LES RISQUES D'ACCIDENTS, RESPECTER LES CONSIGNES DE SÉCURITÉ FIGURANT DANS CE MANUEL. LE NON-RESPECT DE CES CONSIGNES PEUT ENTRAÎNER DES DOMMAGES CORPORELS ET MATÉRIELS GRAVES.

Sécurité et avertissements

A. Décalcomanies de sécurité

Les décalcomanies d'avertissement et d'information qu'on trouve sur différentes parties de la soufflante constituent une partie importante du système de sécurité. Ces décalcomanies doivent être remplacées si elles deviennent illisibles en raison de l'abrasion, etc. Il vous incombe de remplacer les décalcomanies lorsqu'elles deviennent difficiles à lire. L'emplacement de ces décalcomanies et leurs numéros de pièce pour la commande sont indiqués ci-après.

⚠ AVERTISSEMENT ⚠ DANGER ⚠

UNE UTILISATION INAPPROPRIÉE OU UN ENTRETIEN INCORRECT DE CETTE SOUFFLANTE, OU L'OMISSION DE PORTER UNE PROTECTION APPROPRIÉE PEUT PROVOQUER DES LÉSIONS GRAVES.

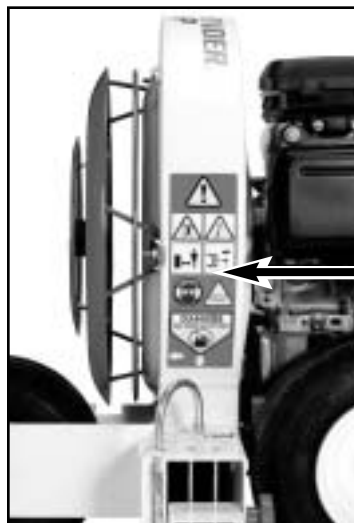
LIRE ET COMPRENDRE LES CONSIGNES DE SÉCURITÉ ET TOUTES LES INSTRUCTIONS CONTENUES DANS CE MANUEL.

PORTER DES LUNETTES DE PROTECTION ET UN CASQUE ANTIBRUIT.

Attention : Objets projetés.

Garder les spectateurs à l'écart.

Toujours porter une protection oculaire et auditive.



Emplacement de la décalcomanie sur la soufflante



Avant d'effectuer quelque intervention de service ou d'entretien que ce soit, débrancher le fil de bougie. S'assurer que l'étrangleur est à la position d'arrêt.

Il importe de lire et de comprendre le manuel d'utilisation. Accorder une attention particulière à toutes les sections relatives à la sécurité. Garder le manuel d'utilisation en lieu sûr.

Garder les mains et les pieds à l'écart de l'admission d'air et des aires de décharge. Le ventilateur rotatif cause des blessures graves.

N° de pièce 910609
Décalcomanie d'avertissement

Consignes générales de sécurité

1. Lire et comprendre le manuel d'utilisation. Accorder une attention particulière à toutes les sections relatives à la sécurité. Conserver le manuel d'utilisation en lieu sûr.

▲ AVERTISSEMENT ▲ DANGER ▲
2. MAINTENIR LES ENFANTS, ANIMAUX DE COMPAGNIE ET SPECTATEURS À L'ÉCART – NE PAS PERMETTRE AUX ENFANTS DE TOUCHER LA SOUFFLANTE. MAINTENIR LES ENFANTS À UNE DISTANCE SUFFISANTE DE L'AIRE DE TRAVAIL. ME JAMAIS PERMETTRE À UNE PERSONNE SOUFFRANT DE MALADIE MENTALE, SOUS L'INFLUENCE D'ALCOOL OU DE DROGUE, OU TROP JEUNE D'UTILISER LA SOUFFLANTE.

3. **NE PAS SE PENCHER DE MANIÈRE DANGEREUSE ET NE PAS MONTER SUR DES SUPPORTS INSTABLES.** Maintenir une posture stable et un bon équilibre en toute circonstance.
4. **OPÉRATEURS MULTIPLES** - Garder une distance sûre entre deux ou plus de deux opérateurs qui travaillent ensemble.

▲ AVERTISSEMENT ▲ DANGER ▲
LE VENTILATEUR CONTINUE À TOURNER PENDANT UN CERTAIN TEMPS APRÈS L'ARRÊT DE LA SOUFFLANTE.

▲ AVERTISSEMENT ▲ DANGER ▲
SI LA SOUFFLANTE EST UTILISÉE DE MANIÈRE INADÉQUATE OU SI LES MESURES DE SÉCURITÉ NE SONT PAS SUIVIES, L'UTILISATEUR RISQUE DES BLESSURES GRAVES POUR LUI-MÊME ET POUR D'AUTRES.
IL CONVIENT DE LIRE ET DE COMPRENDRE CE QUI SUIT AVANT DE TENTER D'UTILISER CETTE SOUFFLANTE.

A. ▲ Avertissements – Ce qu'il ne faut pas faire

▲ AVERTISSEMENT ▲ DANGER ▲
1. DANGER VENTILATEUR EN ROTATION - GARDER LES MAINS À L'ÉCART. NE PAS ESSAYER D'ENLEVER DES MATIÈRES SE TROUVANT DANS LA PRISE OU DÉCHARGE D'AIR LORSQUE LA SOUFFLANTE EST EN FONCTIONNEMENT.

▲ AVERTISSEMENT ▲ DANGER ▲
2. DANGER - NE PAS POSER NI RETIRER DES ACCESSOIRES PENDANT QUE LA SOUFFLANTE EST EN MARCHÉ. ARRÊTER LE MOTEUR AVANT TOUT CHANGEMENT DE CONFIGURATION. VÉRIFIER QUE L'ACCÉLÉRATEUR EST DANS LA POSITION ARRÊT ET QUE LA SOUFFLANTE EST COMPLÈTEMENT ARRÊTÉE. DÉBRANCHER LE FIL DE LA BOUGIE AVANT D'ENLEVER TOUT MATÉRIEL.

3. **NE PAS POINTER LA SORTIE DE LA SOUFFLANTE** en direction de personnes, de voitures, d'objets en verre ou autres objets similaires qui pourraient être blessés ou endommagés par les débris soufflés.
4. **NE PAS TENTER DE RÉPARER LA SOUFFLANTE.** Confier les réparations à un technicien de service ou vendeur Little Wonder qualifié. S'assurer que seules des pièces de rechange Little Wonder et des pièces de rechange recommandées par le constructeur du moteur sont utilisées.

B. ▲ Avertissements – Ce qu'il faut faire

1. **PORTER DES VÊTEMENTS ADÉQUATS** - Ne pas porter des vêtements lâches ni des bijoux. Ils peuvent être happés par les pièces en mouvement. L'utilisation de gants robustes, de chaussures antidérapantes et de lunettes de sécurité est recommandée. Toujours porter des protecteurs auditifs autant que possible. Utiliser un filtre facial pour ne pas respirer la poussière.
2. **RESTER VIGILANT** - Surveiller ses gestes et faire preuve de bon sens. Ne pas utiliser la soufflante lorsqu'on se sent fatigué.
3. **GARDER LES MAINS À L'ÉCART DE L'ADMISSION D'AIR ET DE LA CHUTE DE SORTIE D'AIR** - Garder les deux mains sur les poignées lorsque l'appareil est en marche.
4. **ENTREtenir ET INSPECTER SOIGNEUSEMENT LA SOUFFLANTE** - Suivre les consignes d'entretien données dans ce manuel. Ne pas utiliser la soufflante si le silencieux est défectueux ou manquant.
5. **ENTREPOSER LA SOUFFLANTE À L'INTÉRIEUR** - Lorsque la soufflante n'est pas en usage, la conserver à l'intérieur dans un endroit abrité et sec, hors de la portée des enfants. La soufflante ainsi que le carburant ne doivent pas être rangés à l'intérieur d'une habitation. Garder l'étrangleur en position d'arrêt.
6. **S'ASSURER QUE LA SOUFFLANTE EST ENTIÈREMENT ASSEMBLÉE.** - Ne jamais utiliser la soufflante si tous ses protecteurs et déflecteurs ne sont pas en place. S'assurer que tous les écrous, les boulons et les vis sont à leur place et bien serrés.
7. **GARDER TOUJOURS L'ÉTRANGLEUR EN POSITION D'ARRÊT LORSQUE L'APPAREIL N'EST PAS UTILISÉ.**
Garder une distance sûre entre deux ou plus de deux opérateurs qui travaillent ensemble.

▲ AVERTISSEMENT ▲ DANGER ▲
8. AVERTISSEMENT AFIN D'ÉVITER LES DOMMAGES AU MOTEUR ATTRIBUABLES À UNE SURCHAUFFE OU À UN RÉGIME TROP RAPIDE, GARDER L'ENSEMBLE DE DÉMARREUR À REMBOBINAGE DU MOTEUR AINSI QUE L'ADMISSION ET LES SORTIES DE LA SOUFFLANTE DÉGAGÉS ET EXEMPTS DE FEUILLES OU AUTRES DÉBRIS.

C. ▲ Avertissements concernant le moteur et le carburant – Ce qu'il ne faut pas faire

▲ AVERTISSEMENT ▲ DANGER ▲
MANIER LE CARBURANT AVEC PRÉCAUTION, IL EST TRÈS INFLAMMABLE. LE RÉAPPROVISIONNEMENT EN CARBURANT D'UN MOTEUR CHAUD OU À PROXIMITÉ D'UNE SOURCE D'INFLAMMATION PEUT CAUSER UN INCENDIE ET PROVOQUER DES LÉSIONS CORPORELLES GRAVES ET DES DOMMAGES MATÉRIELS CONSIDÉRABLES.

1. Ne pas fumer en maniant le carburant.
2. Ne pas réapprovisionner en carburant un moteur chaud ou en marche.
3. Ne pas remplir le réservoir à l'intérieur.
4. **MISE EN GARDE.** – Ne pas mettre le moteur en marche ni le faire tourner à l'intérieur, ce qui provoque l'émission de monoxyde de carbone toxique.
5. Ne pas faire fonctionner dans un endroit non ventilé.
6. Ne pas utiliser la soufflante lorsque le système électrique cause une étincelle à l'extérieur du cylindre. Vérifier la bougie de temps à autre. Pendant la vérification, maintenir la bougie à une distance sûre du cylindre afin d'éviter l'inflammation du carburant s'évaporant du cylindre.

D. ▲ Avertissements concernant le moteur et le carburant – Ce qu'il faut faire

1. **MANIPULER L'ESSENCE AVEC PRÉCAUTION. ELLE EST TRÈS INFLAMMABLE.** Refaire le plein de carburant avant de commencer le travail.
2. Toujours utiliser de l'essence fraîche. L'essence viciée peut causer des fuites.
3. Tirer toujours le cordon du démarreur lentement jusqu'à ce qu'une résistance se fasse sentir. Tirer ensuite le cordon rapidement pour éviter le rebond et prévenir les blessures au bras ou à la main.
4. Remettre le bouchon du réservoir d'essence en place solidement. En cas de déversement de carburant, déplacer la soufflante et le récipient de carburant hors de la zone et éviter de créer une source d'inflammation.
5. Éviter de déverser du carburant ou de l'huile. Toujours essuyer l'appareil avant usage. Déplacer l'appareil d'au moins 3 mètres (10 pieds) du point de remplissage avant de mettre le moteur en marche.
6. Toujours conserver l'essence dans un récipient approuvé. Remplir le réservoir à l'extérieur en faisant preuve d'une grande prudence.

Consignes d'assemblage de la soufflante

**REMARQUE.* – Les numéros entre parenthèses (-) représentent les numéros de référence sur la liste de pièces, et les vues explosées de pièces. Voir pages 9 à 11.

1. Placer les montants du guidon (30) sur la partie supérieure du boîtier (32,33). Les fixer à l'aide de quatre vis à tête 5/16-18 x 1 3/4 (34), quatre rondelles plates argentées 5/16 (31), et quatre écrous en nylon 5/16-18 (2), en serrant à la main.
2. Poser le guidon (17) à l'aide de quatre vis à tête 5/16-18 x 1 3/4 (34), huit rondelles 5/16 (31), et quatre écrous en nylon 5/16-18 (2) en serrant à la main. Serrer les écrous et boulons des montants du guidon. Serrer les écrous et boulons du guidon jusqu'à ce que les tubes des montants pincent le guidon. Il est normal pour les tubes des montants de montrer une légère déformation par écrasement.
3. Fixer le câble de l'étrangleur au guidon à l'aide d'une vis à tête 1/4-20 x 1 3/4 po (19) et d'un contre-écrou 1/4-20 (22) à travers le trou pratiqué dans le guidon (17). Il se fixe sur le côté gauche. Insérer la vis autotaraudeuse 10-32 x 3/4 po à travers le trou de la commande de l'étrangleur et dans le trou pilote guidon, puis serrer. (REMARQUE. – Un serrage excessif de la vis sur les commandes montées à gauche pourrait les abîmer.) Une fois la vis 10-32 serrée, revenir à la vis 1/4-20 et la serrer suffisamment pour obtenir une action régulière de la commande. Si l'étrangleur ne maintient pas son réglage après démarrage du moteur, serrer davantage la vis. Raccorder la pince (15) de l'étrangleur au guidon.
4. Incliner la soufflante vers l'arrière pour la faire reposer sur le guidon et poser le support (51) de roue avant par-dessus les trois goujons sur la partie inférieure avant du carter de la soufflante. Fixer à l'aide de trois écrous à bride 5/16-18 (5).
5. Insérer le manchon (53) d'essieu pneumatique dans la roue avant (52). Positionner les entretoises (54) de roue pneumatique sur le manchon d'essieu sur les deux côtés de la roue et les installer dans le support de roue avant (51). Insérer un boulon d'essieu 3/8-16 x 5 1/4 (50) à travers le support de roue et le manchon d'essieu. Fixer à l'aide de l'écrou (49) d'essieu 3/8-16.

▲ AVERTISSEMENT ▲ DANGER ▲
TOUTES LES SOUFFLANTES LITTLE WONDER SONT EXPÉDIÉES SANS HUILE. POUR LE REMPLISSAGE D'HUILE, UTILISER DE L'HUILE SAE 30. SE REPORTER AU MANUEL D'INSTRUCTIONS DU CONSTRUCTEUR DU MOTEUR POUR LES CONSIGNES D'UTILISATION CORRECTE DU MOTEUR.

Consignes d'utilisation

Se reporter au manuel du moteur pour les consignes s'appliquant à son utilisation.

Little Wonder recommande l'utilisation d'huile SAE 30. L'utilisation d'huile à viscosité multiple provoquerait une forte consommation d'huile et endommagerait le moteur.

Les feuilles, le chaume et autres débris peuvent être arrangés sous forme de bancs ou de piles simplement en manœuvrant l'appareil pour diriger l'écoulement d'air dans ce but. L'écoulement d'air peut être dirigé sur le côté ou l'avant à l'aide du déflecteur à deux positions.

La position décharge avant est utilisée pour retirer les débris le long des murs, clôtures, etc. La position décharge latérale est utilisée pour former des bancs ou des piles. Le déflecteur horizontal permet de diriger l'air vers le bas pour « buriner » sous les débris et les feuilles mouillées et lourdes. La vitesse de l'air se contrôle par la commande de l'étrangleur.

Le déplacement du déflecteur vers le trou supérieur permet de diriger un plus grand volume d'air vers le bas. Le déplacement du déflecteur vers le trou inférieur permet de diriger un plus grand volume d'air vers le haut. Pour réduire la formation de bancs ou pour souffler par-dessus l'obstacle, diriger le déflecteur vers le haut.

De légers changements du déflecteur ont un effet considérable sur l'écoulement d'air. Il convient d'expérimenter jusqu'à l'obtention de la meilleure position pour ses besoins particuliers.

Pour une performance optimale, s'assurer que le démarreur à rembobinage, l'admission de la soufflante et les sorties sont dégagés et exempts de feuilles ou autres débris.

Entretien

1. Maintenir tous les écrous, boulons et vis serrés.
2. Ne jamais ranger la soufflante avec du carburant dans le réservoir à l'intérieur d'un bâtiment ou dans un endroit confiné où les gaz peuvent atteindre une flamme nue ou une source d'étincelles.
3. Toujours se reporter au manuel d'instructions pour des détails importants si le produit doit être rangé pendant une période prolongée.
4. Moteur - 4 temps. (Se reporter aux instructions du constructeur du moteur en ce qui concerne les recommandations de carburant et renseignements supplémentaires.)
5. Pneus - sans chambre à air. Gonfler à une pression de 2,1 kg/cm² (30 lb/po²).
6. Les décalcomanies doivent être inspectées avant chaque usage. Remplacer les décalcomanies endommagées immédiatement.

Entretien (suite)

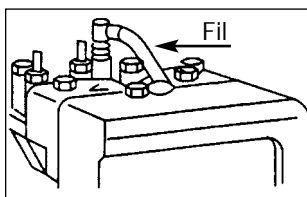
Vérifier régulièrement le niveau d'huile. Veiller à maintenir un niveau correct d'huile. Vérifier le niveau d'huile toutes les 5 heures de fonctionnement et au moins une fois dans la journée avant de mettre le moteur en marche. Utiliser de l'huile SAE 30.

Important. – Changer l'huile après les 5 premières heures de fonctionnement. Cette mesure est extrêmement importante pour assurer une longue durée de vie du moteur Honda GC160. Le moteur GC160 se rode rapidement pour atteindre sa pleine puissance. Les sous-produits du rodage doivent être enlevés par le biais de la vidange de l'huile après les cinq premières heures de fonctionnement, conformément aux indications du fabricant du moteur. Retirer le bouchon de vidange et vidanger l'huile pendant que le moteur est chaud. Remettre le bouchon de vidange en place. Retirer le bouchon de remplissage d'huile et refaire le plein d'huile fraîche. Mettre le moteur en marche et le faire tourner au ralenti pendant 30 secondes. Arrêter le moteur. Attendre 30 secondes et vérifier à nouveau le niveau d'huile. Au besoin, ajouter de l'huile jusqu'au niveau de débordement au bouchon de remplissage. Le manuel d'utilisation Honda contient un dessin montrant la vidange de l'huile du côté du silencieux du moteur. Little Wonder a prévu un emplacement de vidange d'huile du côté opposé du moteur (côté du réservoir d'essence). La vidange d'huile est plus facile à effectuer du côté du réservoir d'essence.

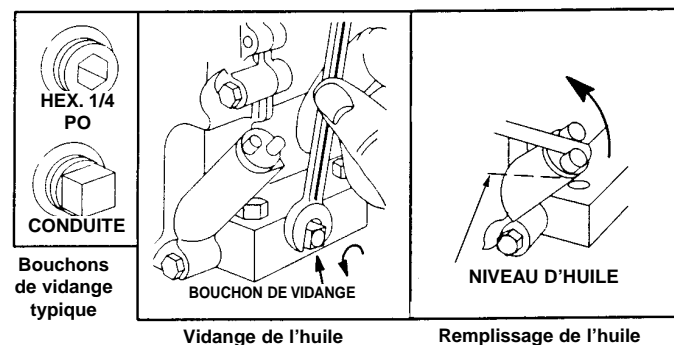
Instructions pour retrait du ventilateur :

(Cette opération doit être effectuée par un concessionnaire Little Wonder qualifié.)

1. Retirer le protecteur d'admission et le panneau avant.
2. Retirer le boulon et la rondelle retenant le ventilateur au vilebrequin du moteur.
3. Le ventilateur a un écrou 3/4-16 soudé sur le moyeu du ventilateur. Insérer un boulon 3/4-16 de catégorie 5 ou 8 et le faire pivoter pour séparer le ventilateur du moteur. (La vis de pression Little Wonder n° 910515 est recommandée.)
4. Pour le remontage, utiliser une rondelle plate (n° 920503) et un nouveau boulon (n° 920502) avec du Loctite 242.



Pour prévenir une mise en marche accidentelle, retirer le fil de la bougie lors de l'entretien du moteur ou du matériel.

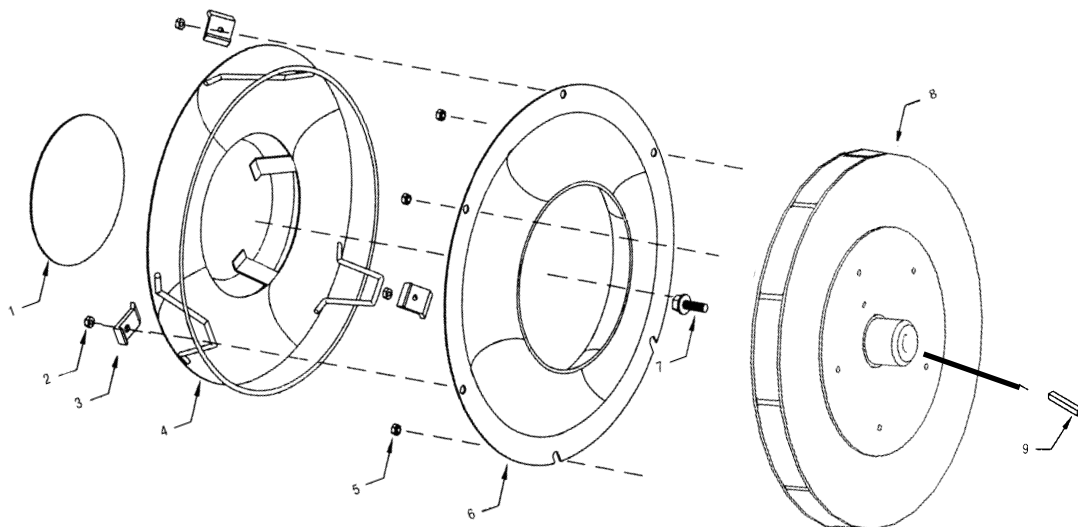


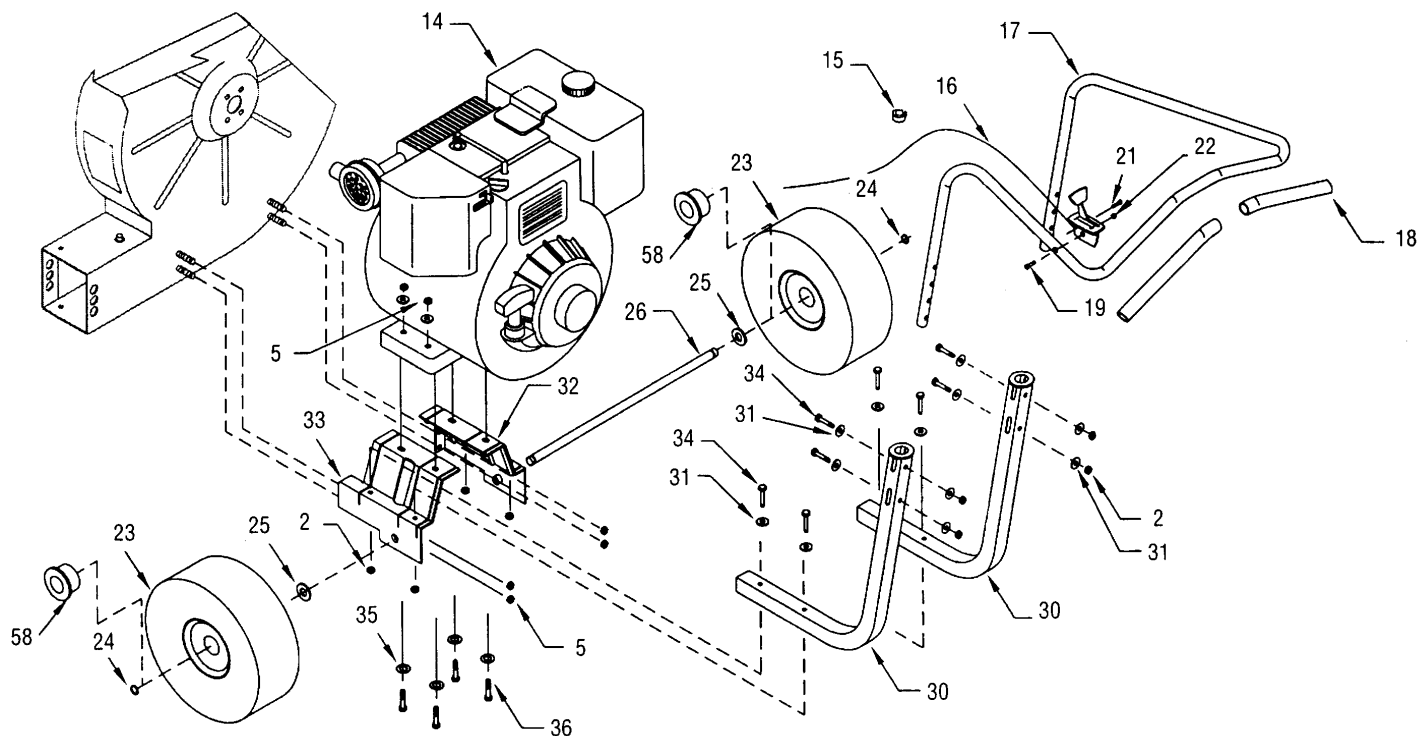
Spécifications de couple boulon/écrou pour la soufflante

Emplacement	Taille boulon/écrou	N° de pièce	Couple mini. pi-lbs (po-lbs)	Couple maxi. pi-lbs (po-lbs)
Carter à face du moteur	Tête à bride 5/16-24 x 3/4	910503	22 (264)	28 (336)
Plate-forme à carter	Écrou à bride 5/16-18	114-B)	16 (192)	22 (276)
Moteur à plate-forme	5/15-18 x 1 qual. 5	113	19 (228)	25 (300)
Montant de guidon à plate-forme	5/15-18 x 1,75 qual. 5	942	19 (228)	25 (300)
Guidon à montant de guidon	5/15-18 x 1,75 qual. 5	942	19 (228)	25 (300)
Étrangleur à guidon	1/4-20 x 1,5 qual. 5	378	4 (48)	6 (72)
Défecteur intérieur à crochet	Tête à bride 10-32 x 0,625 qual. 5	329	(52)	(71)
Ventilateur à vilebrequin (95 oz)	Boulon hex. 5/16-24 x 1,75 qual. 8	920502	16 (190)	18 (220)
Ventilateur à vilebrequin (95 oz)	Tête à bride 3/8 – 24 x 1,5 qual. 5	910518	39	51
Panneau avant à carter (goujon court)	Écrou à bride 5/16-18	114-B)	16 (192)	22 (276)
Bride du protecteur d'admission (goujon long)	Écrou muloc 5/16-18	114-C	-	8 (100)
Support de roue à carter	Écrou à bride 5/16-18	114-B)	16 (192)	22 (276)
Boulon d'essieu de roue avant	3/8-16 x 5,25 qual. 5	900501	34	45

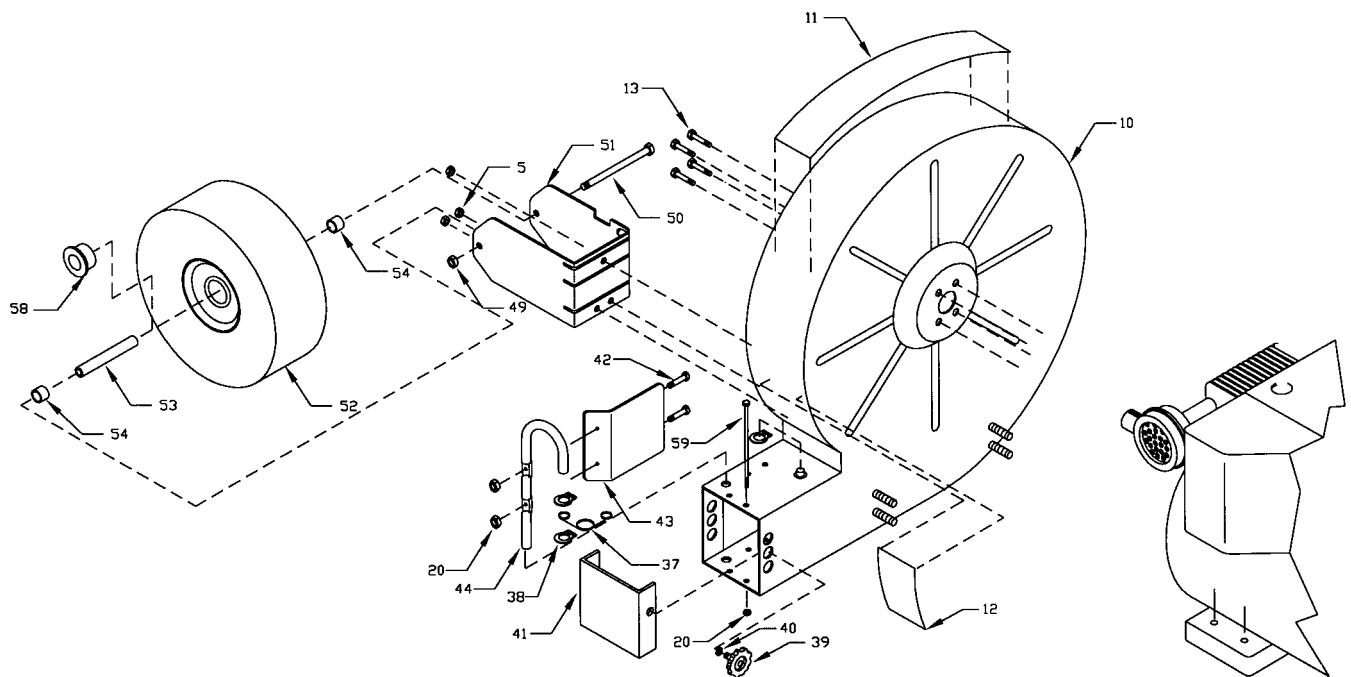
Vues éclatées et nomenclature

N° de repérage	N° de référence	Description	Qté pour 9502	Qté pour 9602
1	910610	Décalcomanie de protecteur d'admission	1	1
2	920600	Écrou à insertion en nylon 5/16- 18	11	11
3	911130	Bride de protecteur d'admission	3	3
4	921100	Ensemble de protecteur d'admission	1	1
5	114B	Contre-écrou à bride en dents de scie 5/16- 18	14	14
6	921120	Panneau avant	1	1
7	920502	Boulon hex. 5/16- 24 x 1,75 qual. 8	1	-
7	910518	Tête à bride 3/8 – 24 x 1,5 qual. 5	-	1
8	920200	Ensemble ventilateur SHO 5 ch	1	-
8	920208	Ensemble ventilateur SHO 6 ch	-	1
9	117	Clavette 3/16 x 3/16 x 1	1	-
9	915	Clavette 1/4 x 1/4 x 2	-	1
10	920503	Rondelle plate épaisse 5/16	1	1





N° de repérage	N° de référence	Description	Qté pour 9502	Qté pour 9602
2	114C	Écrou à insertion en nylon 5/16-18	11	11
5	114B	Contre-écrou à bride en dents de scie 5/16-18	14	14
14	910916	Moteur Honda 5 ch	1	-
14	910914	Moteur Briggs 6 ch	-	1
15	946	Pince d'étrangleur	1	1
16	910301	Câble de l'étrangleur	1	1
17	900301	Guidon	1	1
18	900302	Poignée (jeu de 2)	1	1
19	179	1/4-20 x 1 3/4 HHCS qual. 5	1	1
21	910526	Vis autotaraudeuse pour tôles 10-32 x 3/4	1	1
22	972	Contre-écrou à deux voies 1/4-20	1	1
23	920300	Ensemble de roue à pneumatique déporté, diam. 12 po	2	2
24	312	Bague de retenue	2	2
25	405-1	Rondelle plate 5/8 SAE	2	2
26	932-1	Essieu	1	1
30	916-2	Montant de guidon	2	2
31	163	Rondelle plate 5/16	12	12
32	920007	Boîtier droit de soufflante 6/8/10 ch	1	1
33	920009	Boîtier gauche de soufflante - 6/8/10 ch	1	1
34	942	5/16-18 x 1,75 HHCS qual. 5	8	8
35	129D	Rondelle fendue d'arrêt régulière 5/16	4	4
36	113	5/16-18 x 1,5 HHCS	4	4
58	934B	Roulement de roue à pneumatique	6	6



N° de repérage	N° de référence	Description	Qté pour 9502	Qté pour 9602
5	114B	Contre-écrou à bride en dents de scie 5/16-18	14	14
10	920000	Carter SHO 5 ch	1	1
11	920602	Décalcomanie de carter Little Wonder - 5 ch	-	1
11	910629	Décalcomanie de carter Little Wonder - 6 ch	1	-
12	920603	Décalcomanie d'avertissement SHO	1	1
13	910503	Boulon à bride à tête Whiz 5/16-24 x 3/4	4	4
20	973	Contre-écrou à deux voies 10-32	6	6
37	910130	Ressort de déflecteur	1	1
38	8-18	Bague de retenue	3	3
39	910131	Bouton de serrage	1	1
40	963	Rondelle d'arrêt à dents externes 5/16	1	1
41	910100	Déflecteur latéral 6 ch	1	1
42	329	Vis à bride en dents de scie 10-32 x 5/8	2	2
43	910105	Déflecteur interne 6 ch	1	1
44	910132	Poignée de déflecteur	1	1
49	102B	Contre-écrou à deux voies 3/8-16	1	1
50	900501	Boulon 3/8-16 x 5 1/4	1	1
51	910402	Support de roue HO peint	1	1
52	934	Roue à pneumatique symétrique	1	1
53	900404	Manchon de roue à pneumatique	1	1
54	900405	Entretoise de support de roue avant	2	2
58	934B	Roulement de roue à pneumatique	6	6
59	300507	10-32 x 5 1/2 Hex M/S	4	4

POLITIQUE DE SERVICE ET DE GARANTIE LIMITÉE POUR CINQ ANS POUR LES SOUFLANTES À GRAND DÉBIT À MOTEUR À ESSENCE SHO

Toutes les soufflantes à essence à grand débit *Little Wonder* sont garanties contre les vices de matériaux et d'exécution pendant une période de CINQ ANS depuis la date d'achat, lorsqu'elles sont utilisées à FINS RÉSIDENTIELLES ou à FINS COMMERCIALES. Toute soufflante à essence à grand débit *Little Wonder* ou pièce qui s'avère défectueuse durant la période de garantie doit être renvoyée à un revendeur *Little Wonder* agréé.

Les moteurs de tous les produits à essence sont garantis séparément par le constructeur du moteur. Par conséquent, aucune garantie, explicite ou implicite, n'est fournie par *Little Wonder* sur les moteurs des produits à essence.

Les frais de transport des pièces détachées et des appareils renvoyés en vue de leur remplacement dans le cadre de cette garantie incombent à l'acheteur.

CETTE GARANTIE sera de nul effet si le produit a fait l'objet d'une utilisation erronée, de négligence ou d'un accident, ou si le produit a été réparé ou altéré à l'extérieur de notre usine de Southampton ou d'un centre de réparation agréé d'une manière qui influe sur son état ou son fonctionnement.

Little Wonder décline toute responsabilité en cas de dommages particuliers indirects ou accessoires liés à la défektivité du matériel. Aucune garantie implicite, notamment garantie de qualité marchande ou d'aptitude à une fin particulière, ne s'étend au-delà de la période de garantie spécifiée ci-dessus.

LA PRÉSENTE GARANTIE n'est valide que si la carte de garantie et d'enregistrement ci-jointe a été correctement remplie et renvoyée à Little Wonder, division de la société Schiller-Pfeiffer, Inc., au moment de l'achat.

▲AVERTISSEMENT ▲DANGER▲

**L'ÉCHAPPEMENT DU MOTEUR DE CE PRODUIT
CONTIENT DES PRODUITS CHIMIQUES DÉCLARÉS
PAR L'ÉTAT DE LA CALIFORNIE RESPONSABLES
DE CANCER, MALFORMATIONS CONGÉNITALES
OU AUTRES ANOMALIES DE LA REPRODUCTION.**

***LITTLE WONDER*[®]
DIVISION OF SCHILLER-PFEIFFER, INCORPORATED
1028 STREET ROAD, P.O. BOX 38
SOUTHAMPTON, PA 18966
Tél. : 877-596-6337 • Télécopieur : 215-357-8045**

www.littlewonder.com

LITTLE WONDER®

SHO



**Suburban High Output Blower
Owners Manual and Safety Instructions**

**Soufflante à grand débit Suburban
Manuel d'utilisation et Consignes de sécurité**

**Soplador "Suburban" de alta capacidad
Manual del propietario e instructivo de seguridad**

Índice de materias

Información importante

Introducción	1
Información del servicio	1
Información especial de seguridad	1

Seguridad y Advertencias

Etiquetas engomadas de salvaguardias	2
Reglas generales de seguridad	3
Advertencias – “No hacer”	3
Advertencias – “Hacer siempre”	3
Advertencias con el motor y el combustible – “No hacer”	4
Advertencias con el motor y el combustible – “Hacer siempre”	4

Instrucciones del ensamblado

Operación

Mantenimiento

Diagrama de los componentes

Garantía

USOS MÚLTIPLES:

La amplia y útil versatilidad que ofrece la línea de sopladores Little Wonder los hace idealmente adecuados para una amplia variedad de usos - barrido de hojas muertas, recortes de césped, desechos de desbrozado, secado de canchas de tenis, limpieza de las entradas a las cocheras de gran tamaño, estadios, estacionamientos, superficies de mampostería, la pre-limpieza de techos antes de ser reparados, y un sinnúmero de tareas varias.

Información importante

A. Introducción

Por conducto de todos los que prestamos nuestros servicios en Little Wonder, nos gustaría extenderle nuestro agradecimiento por haber adquirido un soplador “Suburban” de alta capacidad Little Wonder impulsado por un motor de gasolina. Este soplador de uso profesional ha sido diseñado con los más altos estándares de la industria, con el fin de asegurarle su funcionamiento ininterrumpido, durante muchas horas.

Este manual le proporcionará la información necesaria para la operación, servicio eficiente, y segura de este equipo. Para su propia seguridad, es sumamente importante que usted lea y entienda el contenido completo de este manual, antes de operar su soplador.

B. Información del servicio

Motor

- Consulte el manual del motor que se suministra y adjunta por conducto del fabricante.
- O en un centro de reparación y servicio autorizado por el fabricante.

Otros componentes

- Comuníquese con su distribuidor Little Wonder de la localidad.

C. Información especial de seguridad

⚠ ADVERTENCIA ⚠ PELIGRO ⚠
ES DEL CONOCIMIENTO DEL ESTADO DE CALIFORNIA QUE EL HUMO DEL ESCAPE DEL MOTOR INSTALADO EN ESTE PRODUCTO CONTIENE PRODUCTOS QUÍMICOS QUE CAUSAN CÁNCER, DEFECTOS EN EL NACIMIENTO, O CUALQUIER OTRA CLASE DE LESIONES EN EL SISTEMA REPRODUCTOR.

⚠ ADVERTENCIA ⚠ PELIGRO ⚠
ATENCIÓN: ESTE SÍMBOLO PUNTUALIZA LAS INSTRUCCIONES DE SEGURIDAD MÁS IMPORTANTES.
⚠ CUANDO VEA ESTE SÍMBOLO, ⚠
¡PRÉSTELE ATENCIÓN A LA ADVERTENCIA!
¡MANTÉNGASE ALERTA!

⚠ ADVERTENCIA ⚠ PELIGRO ⚠
CUMPLA CON LAS INSTRUCCIONES DE SEGURIDAD MENCIONADAS EN ESTE MANUAL, PARA REDUCIR EL POTENCIAL DE SUFRIR UN ACCIDENTE. OMITIR CUMPLIR CON ESTAS INSTRUCCIONES PUDIERA DAR COMO RESULTADO LESIONES PERSONALES Y/O DAÑAR EL EQUIPO O LOS BIENES DE SU PROPIEDAD.

Seguridad y Advertencias

A. Etiquetas engomadas de salvaguardias

Un elemento importante del sistema de seguridad incorporado en este soplador son las etiquetas de advertencia e información localizadas en varias partes de la unidad. Estas etiquetas deberán ser sustituidas con unas nuevas, si estas se hacen ilegibles como resultado del efecto de los abrasivos, etc. Queda bajo su propia responsabilidad reemplazar estas etiquetas cuando se dificulte su lectura. La ubicación de estas etiquetas y los números de componente que las identifican se ilustran abajo.

⚠ ADVERTENCIA ⚠ PELIGRO ⚠

EL USO O MANTENIMIENTO INAPROPIADO DE ESTE SOPLADOR, ASÍ COMO U OMITIR EL USO DEL EQUIPO DE PROTECCIÓN APROPIADO, PODRÍA DAR COMO RESULTADO SERIAS LESIONES PERSONALES.

LEA Y ENTIENDA TODAS LAS REGLAS PARA LA OPERACIÓN SEGURA, ASÍ COMO TODAS LAS INSTRUCCIONES IMPRESAS EN ESTE MANUAL.

USE SIEMPRE DISPOSITIVOS DE PROTECCIÓN PARA LA VISTA Y EL OÍDO.

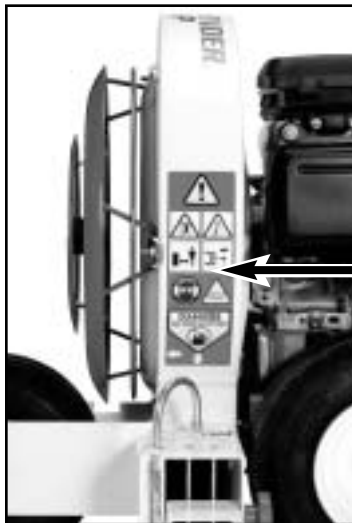
Cuidado: Lanzamiento de objetos.



Mantenga alejados a los curiosos.



Usar siempre protección para la vista y los oídos.



Ubicación de la etiqueta en el soplador



Antes de hacer cualquier reparación o labor de mantenimiento, desconecte el cable de la bujía. Cerciórese de que el acelerador esté en la posición STOP.



Lea y entienda el contenido del manual del propietario. Prestarle siempre atención particularmente a todas las secciones relacionadas con la seguridad. Conserve su manual del propietario en un lugar seguro.



Mantenga alejadas las manos y los pies de las zonas de descarga del aire. Las aspas giratorias del soplador podrían causarle serias lesiones.



Reglas generales de seguridad

1. Leer y entender siempre el contenido del manual del propietario. Prestarle siempre atención particularmente a todas las secciones relacionadas con la seguridad. Conserve su manual del propietario en un lugar seguro.

▲ ADVERTENCIA ▲ PELIGRO ▲

2. **MANTENGA ALEJADOS A LOS INFANTES Y CURIOSOS. NO PERMITA QUE LOS INFANTES, MASCOTAS Y CURIOSOS ESTÉN EN LAS CERCANÍAS. NO PERMITA QUE LOS INFANTES MANIPULEN EL SOPLADOR. MANTENGA A LOS INFANTES A UNA DISTANCIA SEGURA DE LA ZONA DONDE ESTÉ TRABAJANDO. NUNCA PERMITA QUE UNA PERSONA MENTALMENTE INCAPACITADA, BAJO LOS EFECTOS DE LAS BEBIDAS ALCOHÓLICAS O DROGAS, O DEMASIADO JÓVENES OPEREN EL SOPLADOR.**

3. **NO HAGA UN ESFUERZO ADICIONAL POR EXTENDER SU ALCANCE, O APOYARSE SOBRE UNA SUPERFICIE INESTABLE.** Mantenga en todo momento el equilibrio y apóyese firmemente sobre sus pies.
4. **OPERARIOS MÚLTIPLES** - Mantenga una distancia segura entre dos o más operarios, cuando ambos estén trabajando simultáneamente.

▲ ADVERTENCIA ▲ PELIGRO ▲

EL SOPLADOR SEGUIRÁ GIRANDO POR INERCIA, DESPUÉS DE HABER INTERRUPTIDO SU FUNCIONAMIENTO.

▲ ADVERTENCIA ▲ PELIGRO ▲

SI EL SOPLADOR ES UTILIZADO INAPROPIADAMENTE O NO SE RESPETAN LAS SALVAGUARDAS PRECAUTORIAS, EL USUARIO SE ARRIESGARÁ ÉL MISMO Y A OTRAS PERSONAS, A SUFRIR LESIONES DE CONSIDERACIÓN. LEA Y ENTIENDA LO SIGUIENTE, ANTES DE INTENTAR OPERAR ESTE SOPLADOR.

A. ▲ Advertencias – “Qué no hacer”

▲ ADVERTENCIA ▲ PELIGRO ▲

1. **PELIGRO ASPAS DEL SOPLADOR GIRANDO - MANTENGA LAS MANOS ALEJADAS. NO INTENTE EXTRAER LOS MATERIALES ATASCADOS EN LA ENTRADA O DESCARGA DEL AIRE, MIENTRAS EL SOPLADOR ESTÉ EN FUNCIONAMIENTO.**

▲ ADVERTENCIA ▲ PELIGRO ▲

2. **PELIGRO - NO INSTALAR O EXTRAER LOS ADITAMENTOS MIENTRAS EL SOPLADOR ESTE EN FUNCIONAMIENTO. INTERRUPTA EL FUNCIONAMIENTO DEL MOTOR ANTES DE HACERLE CUALQUIER MODIFICACIÓN. CERCÍÓRESE QUE EL ACELERADOR ESTÉ EN SU POSICIÓN DE APAGADO (STOP) Y EL SOPLADOR SE HAYA DETENIDO COMPLETAMENTE. ANTES DE EXTRAER CUALQUIER MATERIAL ATASCADO, DESCONECTE EL CABLE DE LA BUJÍA.**

3. **NO DIRIGIR LA DESCARGA DEL SOPLADOR** hacia las personas, automóviles, cristales o cualesquiera otros elementos similares que pudieran sufrir una lesión o dañarse como consecuencia de los desperdicios lanzados por el soplador.

4. **NO INTENTAR REPARAR EL SOPLADOR** - Haga que las reparaciones sean ejecutadas por un distribuidor Little Wonder o personal de reparación calificado. Cerciórese que solamente sean instalados los componentes de repuesto Little Wonder y aquellos recomendados por el fabricante del motor.

B. ▲ Advertencias – “Qué sí hacer”

1. **VESTIR APROPIADAMENTE** - No use ropa holgada ni alhajas. Estos elementos podrían ser atrapados por los componentes en movimiento. Se recomienda el uso de guantes reforzados, calzado antirresbalante y gafas de seguridad. Use siempre protectores de los oídos, cuando le sea posible. Use una mascarilla para evitar respirar el polvo.
2. **MANTÉNGASE ALERTA** - Preste atención a lo que esté haciendo y use su sentido común. No opere el soplador si usted está fatigado.
3. **MANTENGA LAS MANOS ALEJADAS DE LA ENTRADA DE AIRE Y DEL CONDUCTO DE DESCARGA** - Mantenga ambas manos en el manubrio, mientras el soplador esté en funcionamiento.
4. **MANTENGA Y EXAMINE EL SOPLADOR CUIDADOSAMENTE** - Siga las instrucciones de mantenimiento que se mencionan en el manual. No use el soplador sin haberse instalado el silenciador, o si está defectuoso.
5. **CONSERVE EL SOPLADOR BAJO TECHO** - Cuando el soplador no esté en uso, manténgalo bajo techo, en un área protegida (un lugar seco), en donde no esté fácilmente al alcance de los infantes. El soplador, así como el combustible, no deberán ser conservados en el interior de una casa. Mantenga el acelerador en la posición STOP.
6. **CERCÍÓRESE QUE EL SOPLADOR ESTE COMPLETAMENTE ENSAMBLADO** - Nunca opere el soplador sin estar todas las guardas y deflectores colocados en su lugar. Cerciórese que todas las tuercas, pernos y tornillos estén instalados y apretados apropiadamente.
7. **MANTENGA EL ACELERADOR EN LA POSICION "STOP" MIENTRAS NO ESTE EN USO.** Procurar siempre que dos o más operarios estén a una distancia segura cuando ambos operen equipos de manera simultánea.

▲ ADVERTENCIA ▲ PELIGRO ▲

8. **¡ADVERTENCIA! CON EL FIN DE EVITAR DAÑAR EL MOTOR COMO CONSECUENCIA DE UN SOBRECALENTAMIENTO O SOBRE ACELERACIÓN, MANTENGA LIMPIO Y DESPEJADO DE HOJAS SECAS Y CUALQUIER OTRO DESPERDICIO EL ENSAMBLE DEL ARRANCADOR DE RETROCESO AUTOMÁTICO DEL MOTOR Y LAS ÁREAS DE ENTRADA Y DESCARGA DE AIRE DEL SOPLADOR.**

C. ▲ Advertencias del motor y/o combustible – “Qué no hacer”

▲ ADVERTENCIA ▲ PELIGRO ▲
MANEJE EL COMBUSTIBLE CUIDADOSAMENTE, ES ALTAMENTE INFLAMABLE. RESURTIR EL COMBUSTIBLE, MIENTRAS EL MOTOR ESTÁ CALIENTE, O EN LAS CERCANÍAS DE UNA FUENTE DE IGNICIÓN, PODRÍA PROVOCAR UN INCENDIO Y DAR COMO RESULTADO LESIONES PERSONALES DE CONSIDERACIÓN Y/O DAÑOS A SUS BIENES.

1. No fumar mientras maneja el combustible.
2. No resurtir de combustible el tanque, si el motor está caliente o en funcionamiento.
3. No resurtir de combustible el tanque estando bajo techo.
4. **CUIDADO** - No arrancar o hacer funcionar el motor en interiores, ya que el silenciador del motor emite monóxido de carbono.
5. No operar el soplador en un área sin ventilación.
6. No usar el soplador, si el sistema eléctrico del mismo provoca chispas fuera del cilindro. Verifique periódicamente las condiciones de la bujía. Al verificarla, mantenga la bujía a una distancia segura del cilindro y evitar de esta manera la ignición de los vapores del combustible en el interior del cilindro.

D. ▲ Advertencias con el motor y el combustible – “Hacer siempre”

1. **MANEJE EL COMBUSTIBLE CON CUIDADO. ES ALTAMENTE INFLAMABLE.** Rellene el tanque de combustible antes de iniciar sus labores.
2. Use siempre gasolina que no haya perdido sus cualidades. La gasolina que haya perdido sus cualidades podrá causar fallas.
3. Tirar siempre lentamente de la cuerda del arrancador, hasta sentir cierta resistencia. Ahora, tire súbitamente del cordón para evitar el contragolpe del resorte y evitar lesionarse un brazo o la mano.
4. Reinstale el tapón de la gasolina firmemente. Si se derramó el combustible accidentalmente, aleje y mueva el soplador de esa área y colóquelo en otro lugar, así como el envase que contiene el combustible y tenga cuidado de no provocar una fuente de ignición.
5. Evite derramar el combustible y el aceite. Limpie y seque la unidad antes de usarla. Aléjese a una distancia mínima de 3 metros (10 pies), del punto en donde usted llenó el tanque de combustible, antes de arrancar el motor.
6. Conserve siempre la gasolina en un envase de uso comprobado. Llene el tanque de combustible cuidadosamente y en exteriores.

Instrucciones de ensamblado del soplador

**NOTA: Los números entre paréntesis representan los números de referencia ilustrados en la sección que contiene la lista de componentes y el diagrama esquemático. Consulte las páginas 9 - 11.*

1. Instale los manubrios inferiores (30) sobre la plataforma superior de la base (32,33). Fíjelos con cuatro tornillos con cabeza de 5/16 pulg - 18 x 1 3/4 pulg (34), cuatro arandelas niqueladas planas de 5/16 pulg (31) y cuatro tuercas con núcleo de nylon de 5/16 pulg -18 (2), apretados con la fuerza de los dedos.
2. Instale el manubrio superior (17) con cuatro tornillos con cabeza de 5/16 pulg x 1 1 3/4 pulg (34), ocho arandelas de 5/16 pulg y cuatro tuercas con núcleo de nylon de 5/16 pulg-18 (2) apretadas con la fuerza de los dedos. Apriete las tuercas y los tornillos que sostienen al manubrio inferior. Apriete las tuercas y tornillos que sostienen al manubrio superior, hasta que el tubo del manubrio inferior se comprima contra el manubrio superior. Se considera normal que el tubo del manubrio inferior se comprima un poco.
3. Instale el cable del acelerador en el manubrio superior con el uso de un tornillo de 1/4 pulg - 20 x 1 3/4 pulg con casquillo (19) y una tuerca con núcleo de nylon de 1/4 pulg - 20 (22) a través del orificio del manubrio superior (17). Éste cable quedará instalado en el lado izquierdo. Inserte el tornillo para lámina de 10-32 x 3/4 pulg a través del orificio del control del acelerador y hacia el interior del orificio piloto en el manubrio y apriételo. (AVISO: Apriete excesivamente el tornillo instalado en los controles del lado izquierdo, pudiese dañar el control.) Una vez que haya apretado el tornillo 10-32, retroceda al tornillo de 1/4 pulg y apriételo lo suficiente hasta obtener un movimiento libre en el control. Si el acelerador no se mantiene en su posición al arrancar el motor, apriete este mismo tornillo un poco más. Conecte el sujetador del acelerador (15) al manubrio superior.
4. Incline el soplador hacia atrás, apoyándolo sobre el manubrio e instale el soporte de la rueda delantera (51) por encima de los tres pernos colocados en la parte inferior del frente del bastidor del soplador. Fíjela firmemente con tres tuercas con brida de 5/16 pulg - 18 (5).
5. Inserte el mango de la rueda neumática (53) en la rueda neumática delantera (52). Instale los espaciadores de la rueda neumática (54) por encima del mango del eje en ambos lados de la rueda e instale el soporte en la rueda delantera (51). Inserte el tornillo del eje de 3/8 pulg - 16 x 5 1/4 pulg (50) a través del soporte de la rueda y el mango del eje. Fije el tornillo firmemente con la tuerca de 3/8 - 16 (49) del eje.

▲ ADVERTENCIA ▲ PELIGRO ▲
TODOS LOS SOPLADORES LITTLE WONDER SON EMBARCADOS SIN ACEITE EN EL MOTOR. USE ACEITE SAE 30 CUANDO RELLENE EL DEPÓSITO. CONSULTE EN EL MANUAL INSTRUCTIVO DEL FABRICANTE DEL MOTOR LAS INSTRUCCIONES APROPIADAS PARA LA OPERACIÓN DEL MOTOR.

Instrucciones operativas

Consulte el manual del fabricante del motor y entérese del procedimiento operativo del motor.

Little Wonder recomienda el uso de aceite SAE 30. El uso de aceite con viscosidad múltiple dará como resultado un mayor consumo de aceite y la posibilidad de dañar el motor.

Las hojas muertas, la paja y cualquier otro desperdicio podrá ser guiado hacia una hilera formada por las hojas o a un lugar en donde se hayan amontonado, bastando simplemente maniobrar la unidad y dirigir el flujo de aire como sea adecuado.

El flujo del aire expulsado podrá ser dirigido, ya sea hacia un lado o hacia el frente, con el uso del deflector de dos posiciones. La posición de descarga al frente podrá ser utilizada para eliminar los desperdicios acumulados en las bardas, cercas, etc., la posición de descarga lateral podrá ser utilizada para conformar hileras o montones. El deflector horizontal dirige la descarga de aire hacia abajo para "cincelar" por debajo las hojas y desperdicios mojados y pesados. La velocidad de la descarga se regula con el uso del control del acelerador.

Colocar el deflector en el orificio superior le permitirá descargar un mayor volumen de aire hacia abajo. Colocar el deflector en el orificio inferior le permitirá descargar un mayor volumen de aire hacia arriba. Con el fin de reducir la formación de hileras de desperdicios, o descargar el aire por encima de un obstáculo, dirija el deflector hacia arriba.

Los cambios aparentemente poco significativos hechos al deflector tendrán un efecto mayor en el flujo de aire. Experimente con las posiciones de la descarga, hasta encontrar la que mejor cumpla con sus necesidades.

Obtenga el mejor rendimiento del equipo, cerciórese que el ensamble del arrancador de resorte, la entrada de aire del soplador y las áreas de descarga no contengan obstrucciones u hojas muertas o desperdicios.

Instrucciones de mantenimiento

1. Mantenga todas las tuercas, tornillos y pernos apretados firmemente.
2. Nunca almacene el soplador dentro de una edificación o en un lugar confinado, si el tanque de combustible contiene aún gasolina y en donde los vapores puedan ser inflamados por una flama abierta o una chispa.
3. Consulte, en todo momento, el manual de instrucciones los detalles de importancia, si el producto será almacenado durante un periodo de tiempo extenso.
4. Motor - 4 tiempos. (Consulte las recomendaciones relacionadas con el combustible, así como la información adicional mencionada en las instrucciones operativas del manual del fabricante.)
5. Ruedas - Sin cámara. Inflarlas a una presión de aire de 30 P.S.I.
6. Las etiquetas deberán ser inspeccionadas antes de cada uso. Sustituya inmediatamente las etiquetas dañadas.

Instrucciones de mantenimiento - cont.

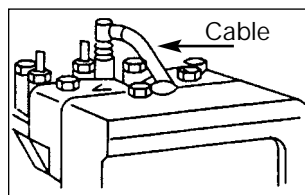
Verifique periódicamente el nivel de aceite del motor. Cerciórese de mantener el nivel de aceite al nivel correcto. Verifique el nivel de aceite, después de cada 5 horas de operación, o diariamente, antes de arrancar el motor. Use aceite SAE 30.

Importante: Cambie el aceite después de las primeras 5 de operación. Esto es significativamente importante para garantizar la prolongación de la vida útil de su motor Honda GC160. El motor GC160 se afloja rápidamente y proporciona toda su potencia. Los productos secundarios como resultado del aflojamiento del motor deberán ser eliminados cambiando el aceite después de las primeras 5 horas de operación, según las recomendaciones del fabricante del motor. Extraiga el tapón de vaciado del aceite y permita que el aceite se vacíe mientras el motor está caliente. Reinstale el tapón de vaciado del aceite. Extraiga el tapón de llenado de aceite y rellene el motor con el aceite nuevo. Arranque y haga funcionar el motor a su velocidad mínima durante 30 segundos. Interrumpa el funcionamiento del motor. Espere 30 segundos y vuelva a verificar el nivel de aceite. Agregue una cantidad adicional de aceite, en caso necesario, hasta lograr que el nivel de aceite se derrame en el tapón de llenado. El manual del propietario Honda ilustra la manera en la que el aceite se vacía en el lado del silenciador del motor. Little Wonder le proporciona una ranura para vaciar el aceite, que está colocada en su plataforma, para vaciar el aceite por su lado opuesto (lado del tanque de combustible) del motor. Pudiera ser más fácil vaciar el aceite por el lado del tanque de combustible.

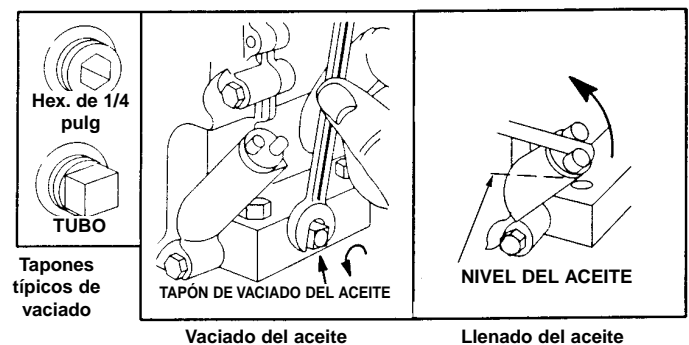
Instrucciones para extraer el ventilador de aspas:

(Este procedimiento deberá ser ejecutado por un distribuidor calificado Little Wonder)

1. Extraiga el protector de la entrada de aire y el panel del frente.
2. Extraiga el tornillo que sostiene el ventilador contra el cigüeñal del motor.
3. El ventilador tiene una tuerca de 3/4 pulg - 16 soldada en el centro del ventilador. Inserte un tornillo de 3/4 pulg con clasificación 5 ú 8 y haga girar el tornillo para hacer palanca en el ventilador (o hacer presión) y extraerlo del motor. (Se sugiere el uso del tornillo extractor de presión Little Wonder componente # 910515.)
4. Vuelva a reensamblarlo con el uso de una arandela plana (# 920503) y un tornillo nuevo (# 920502) con una tuerca Loctite (# 242).



Al efectuar labores de mantenimiento o reparación, prevenga arrancar accidentalmente el motor de la unidad, desconectando el cable de la bujía.



Vaciado del aceite

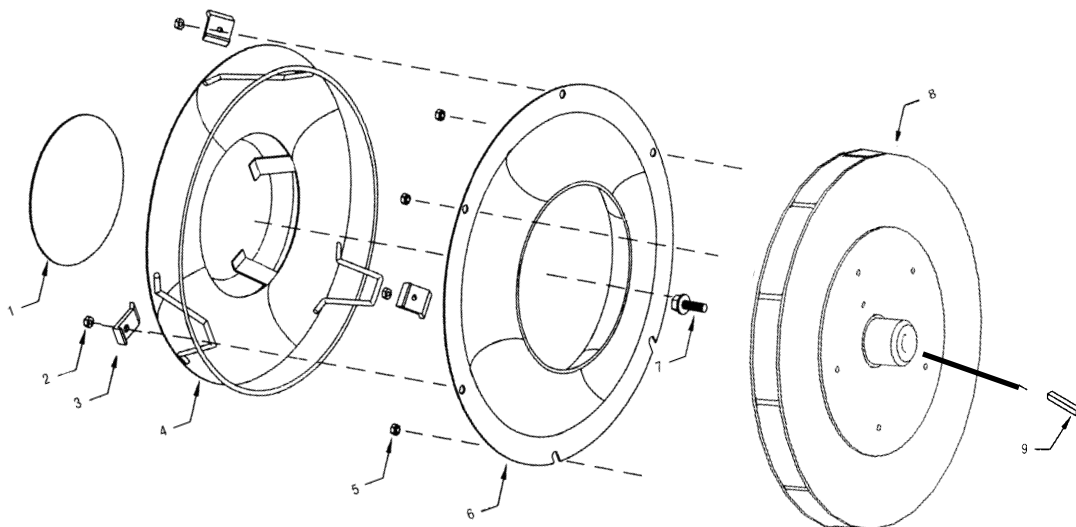
Llenado del aceite

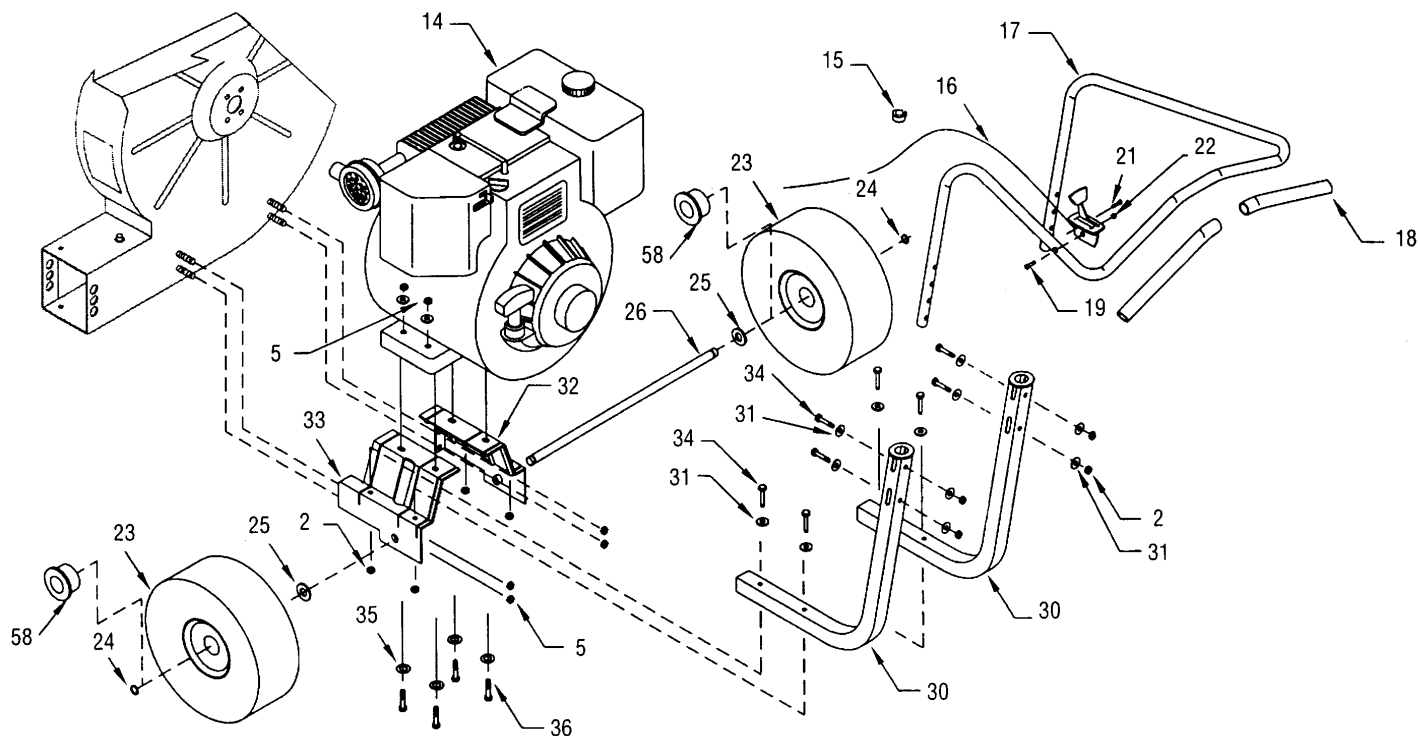
Especificaciones de par de torsión de los tornillos y tuercas del soplador

Localización	Tamaño del tornillo/tuerca	Núm./Comp.	Par de torsión mín. Ft-Lbs (in-lbs)	Par de torsión máx. Ft-Lbs (in-lbs)
Bastidor sobre la carátula del motor	5/16 pulg - 24 x 3/4 pulg cabeza con brida	910503	22 (264)	28 (336)
Plataforma al bastidor	5/16 pulg - 18 tuerca con brida	114-B	16 (192)	22 (276)
Motor a la plataforma	5/16 pulg - 18 x 1 clas 5.	113	19 (228)	25 (300)
Manubrio inferior a la plataforma	5/16 pulg - 18 x 1.75 clas 5.	942	19 (228)	25 (300)
Manubrio superior al manubrio inferior	5/16 pulg - 18 x 1.75 clas 5.	942	19 (228)	25 (300)
Acelerador al manubrio	1/4 pulg - 20 x 1.5 clas. 2	378	4 (48)	6 (72)
Deflector interior al gancho	10-32 x .625 cabeza con brida clas. 5	329	(52)	(71)
Ventilador al cigüeñal 2.700 kg (95 oz)	5/16 pulg x 1.75 tornillo hexagonal clas. 8	920502	16 (190)	18 (220)
Ventilador al cigüeñal 2.700 kg (95 oz)	3/8 pulg - 24 x 1.5 cabeza con brida clas. 5	910518	39	51
Panel delantero al bastidor (perno corto)	5/16 pulg - 18 tuerca con brida	114-B	16 (192)	22 (276)
Abrazadera de la guarda de entrada (perno largo)	5/16 pulg - 18 tuerca muloc	114-C	-	8 (100)
Soporte de la rueda al bastidor	5/16 pulg - 18 tuerca con brida	114-B	16 (192)	22 (276)
Tornillo del eje de la rueda delantera	3/8 pulg -16 x 5.25 clas. 5	900501	34	45

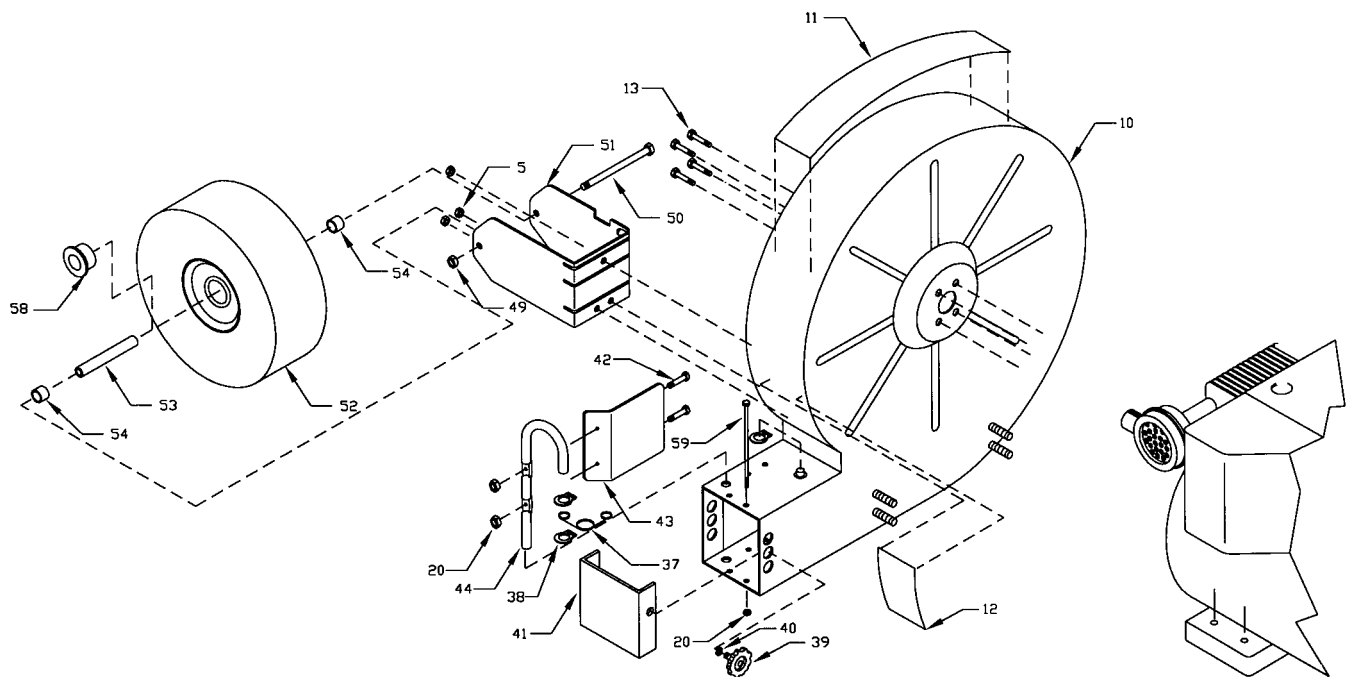
Diagrama de los componentes

Clave #	Componente #	Descripción	9502 Cantidad	9602 Cantidad
1	910610	Etiqueta de la guarda de entrada	1	1
2	920600	Tuerca con núcleo de nylon de 5/16 pulg - 18	11	11
3	911130	Abrazadera de la guarda de entrada	3	3
4	921100	Ensamble de la guarda de entrada	1	1
5	114B	Tuerca inmovilizadora con brida estriada de 5/16 pulg - 18	14	14
6	921120	Panel delantero	1	1
7	920502	5/16 pulg- 24 x 1.75 tornillo hexagonal clas. 8	1	-
7	910518	3/8 pulg - 24 x 1.5 cabeza con brida clas. 5	-	1
8	920200	Ensamble del soplador SHO de 5 H.P.	1	-
8	920208	Ensamble del soplador SHO de 6 H.P.	-	1
9	117	Cuña 3/16 x 3/16 x 1 pulg	1	-
9	915	Cuña 1/4 x 1/4 x 2 pulg	-	1
10	920503	Arandela de 5/16 pulg plana y gruesa	1	1





Clave #	Componente #	Descripción	9502 Cantidad	9602 Cantidad
2	114C	Tuerca con núcleo de nylon de 5/16 pulg -18	11	11
5	114B	Tuerca inmovilizadora con brida estriada de 5/16 pulg -18	14	14
14	910916	Motor Honda de 5 H.P.	1	-
14	910914	Motor Briggs de 6 H.P.	-	1
15	946	Sujetador del acelerador	1	1
16	910301	Cable del acelerador	1	1
17	900301	Manubrio superior	1	1
18	900302	Empuñadura (jgo. de 2)	1	1
19	179	HHCS 1/4 pulg - 20 x 1 3/4 pulg clas. 5	1	1
21	910526	Tornillo de lámina 10-32 x 3/4 pulg	1	1
22	972	Tuerca inmovilizadora de dos vías 1/4 pulg - 20	1	1
23	920300	Ensamble del compensador de la rueda neumática -12 pulg diámetro	2	2
24	312	Anillo de retención	2	2
25	405-1	Arandela plana de 5/8 pulg SAE	2	2
26	932-1	Eje	1	1
30	916-2	Manubrio inferior	2	2
31	163	Arandela plana de 5/16 pulg	12	12
32	920007	Plataforma derecha del soplador de 6/8/10 H.P.	1	1
33	920009	Plataforma izquierda del soplador de 6/8/10 H.P.	1	1
34	942	5/16 pulg - 18 x 1.75 HHCS gr 5	8	8
35	129D	Arandela de presión con ranura regular de 5/16 pulg	4	4
36	113	5/16 pulg - 18 x 1.5 HHCS	4	4
58	934B	Cojinete de la rueda neumática	6	6



Clave #	Núm. de componente	Descripción	9502 Cantidad	9602 Cantidad
5	114B	Tuerca inmovilizadora con brida y astriada de 5/16 pulg - 18	14	14
10	920000	Bastidor del SHO de 5 H.P.	1	1
11	920602	Etiqueta del bastidor Little Wonder – 5 H.P.	-	1
11	910629	Etiqueta del bastidor Little Wonder -6 H.P.	1	-
12	920603	Etiqueta de advertencia – SHO	1	1
13	910503	Tornillo con brida y cabeza Whiz de 5/16 pulg – 24 x 3/4 pulg	4	4
20	973	Tuerca inmovilizadora de 2 vías 10-32	6	6
37	910130	Resorte deflector	1	1
38	8-18	Anillo de retención	3	3
39	910131	Perilla	1	1
40	963	Arandela de presión exterior dentada 5/16 pulg	1	1
41	910100	Deflector lateral – 6 H.P.	1	1
42	329	Tornillo astriado con brida 10-32 x 5/8 pulg	2	2
43	910105	Deflector interno – 6 H.P.	1	1
44	910132	Mango deflector	1	1
49	102B	Tuerca inmovilizadora de 2 vías de 3/8 pulg	1	1
50	900501	Tornillo de 3/8 pulg – 16 x 5 de 1/4 pulg	1	1
51	910402	Soporte de la rueda pintado SHO	1	1
52	934	Rueda neumática simétrica	1	1
53	900404	Mango de la rueda neumática	1	1
54	900405	Espaciador del soporte de la rueda delantera	2	2
58	934B	Cojinete de la rueda neumática	6	6
59	300507	Tuerca hexagonal 10-32 x 5 1/2 pulg M/S	4	4

**GARANTÍA DE SERVICIO LIMITADA A 5 AÑOS Y PÓLIZA DE GARANTÍA PARA
LOS SOPLADORES SUBURBANOS DE ALTA CAPACIDAD OPERADOS CON
MOTOR DE GASOLINA.**

Todos los sopladores marca *Little Wonder* impulsados con un motor de gasolina, están garantizados contra defectos en sus materiales y mano de obra durante un periodo de CINCO AÑOS a partir de la fecha de compra, mientras sean utilizados para SERVICIO RESIDENCIAL o COMERCIAL. Cuando a cualquier soplador suburbano de alta potencia *Little Wonder* impulsado por un motor de gasolina o alguno de sus componentes se le determine estar defectuoso y dentro del periodo de garantía, este deberá ser devuelto a cualquier distribuidor registrado *Little Wonder*.

Los motores para todos los productos impulsados con un motor de gasolina están garantizados por separado y por el fabricante del motor. Por lo tanto, no se hace garantía alguna, ya sea expresa o implícita, para los motores a gasolina instalados en los productos de *Little Wonder*.

El costo de la transportación de los componentes y las unidades enviadas para su reparación bajo esta garantía deberá ser cubierto por el adquiriente.

ESTA GARANTÍA no surtirá efecto alguno si el producto ha sido sujeto al mal uso, negligencia o accidente, o si el producto ha sido reparado o alterado fuera de nuestra fábrica en Southampton o de las instalaciones de reparación autorizadas, bajo cualquier circunstancia que afecte sus condiciones u operación.

Little Wonder no asumirá la responsabilidad que resulte de cualesquiera daños especiales, indirectos, o consecuenciales debido a cualquier equipo que se determine estar defectuoso.

Cualquier garantía implícita, que incluya la comerciabilidad o adaptación para un propósito en particular, no se extenderá más allá de la vigencia de lo manifestado en la garantía.

ESTA GARANTÍA solamente entrará en vigor si la tarjeta de Registro y/o Garantía que se anexa es llenada apropiadamente y devuelta a *Little Wonder*, Div. Of Schiller-Pfeiffer, Inc., al momento de su adquisición.

▲ ADVERTENCIA ▲ PELIGRO ▲
ES DEL CONOCIMIENTO DEL ESTADO DE CALIFORNIA
QUE EL HUMO DEL ESCAPE DEL MOTOR INSTALADO EN
ESTE PRODUCTO CONTIENE PRODUCTOS QUÍMICOS
QUE CAUSAN CÁNCER, DEFECTOS EN EL NACIMIENTO,
O CUALQUIER OTRA CLASE DE LESIONES EN EL
SISTEMA REPRODUCTOR.

LITTLE WONDER®
DIVISION OF SCHILLER-PFEIFFER, INCORPORATED
1028 STREET ROAD, P.O. BOX 38
SOUTHAMPTON, PA 18966
Tel. 877-596-6337 • FAX 215-357-8045

www.littlewonder.com

P/N 920702
02/04