

720025 - Discharge Extension Kit Assembly Instructions

Discharge Extension Kit

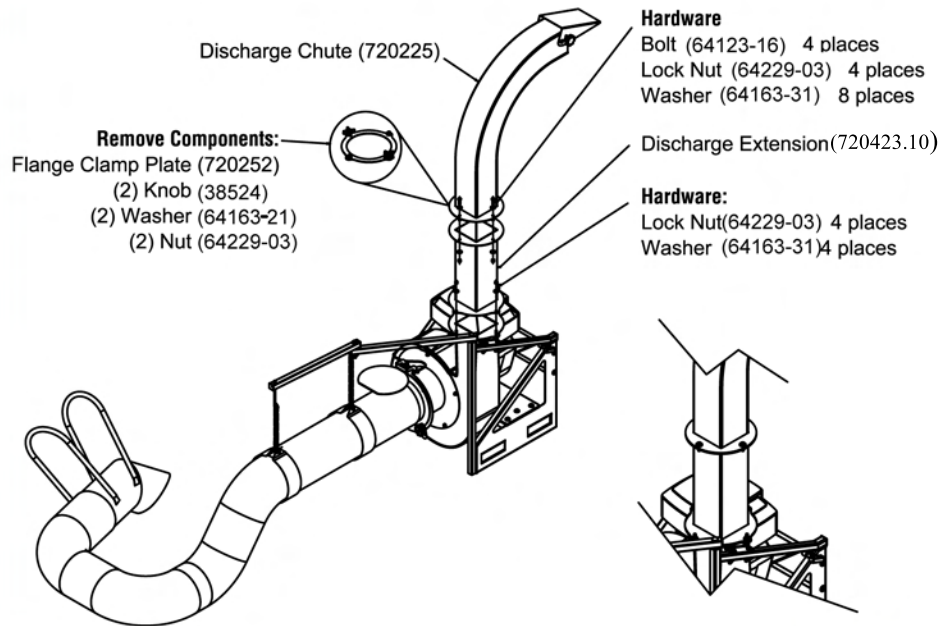
Contents of Discharge Extension Kit

1. Discharge Extension (720423.10)
2. Hardware Bag

Includes:

- (4) Hex Bolt (64123-16)
- (8) Lock Nut 3/8-16 (64229-03)
- (12) Washer 3/8 (64163-31)

3. Instructions (720709)



Tools Needed

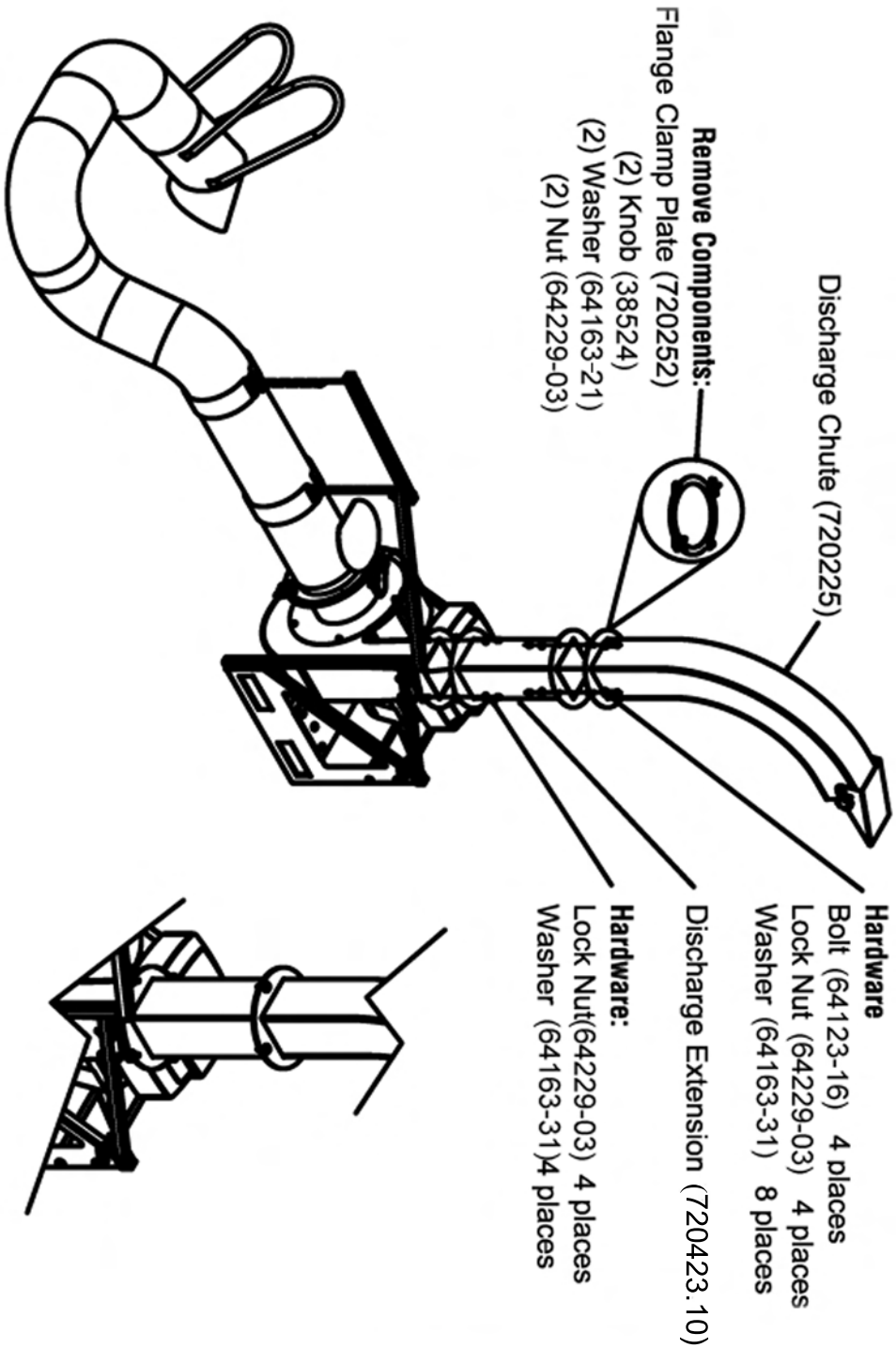
1. 9/16 Box Wrench
2. 9/16 Socket Wrench

A larger view of this illustration is available on the back of these instructions.

Assembly Instructions

1. Turn off Truckloader engine.
2. Remove the knobs, mounting hardware, and Discharge Chute from the Truckloader discharge flange.
3. Place the matching flange of the Discharge Extension (720423.10) over the studs on the Truckloader flange and attach it with 4 washers (64163-31) and 4 lock nuts (64229-03).
4. Place the Discharge Chute flange onto the Discharge Extension and fasten with 4 bolts (720501), 8 washers (64163-31) and 4 lock nuts (64229-03).

LITTLE WONDER® Shredding
TruckLoader



⚠ WARNING ⚠ DANGER ⚠

ROTATING FAN. DON'T ATTEMPT TO REMOVE MATERIALS FROM DISCHARGE CHUTE WHEN UNIT IS RUNNING, OR FAN IS ROTATING.

⚠ WARNING ⚠ DANGER ⚠

NEVER RUN OR OPERATE YOUR MACHINE UNLESS DISCHARGE CHUTE IS DIRECTED INTO A RECEIVER BOX, AND THE INTAKE HOSE IS INSTALLED.

LITTLE WONDER®

DIVISION OF SCHILLER-PFEIFFER, INCORPORATED

1028 STREET ROAD, P.O. BOX 38

SOUTHAMPTON, PA 18966

PHONE 877-596-6337 • FAX 215-357-8045