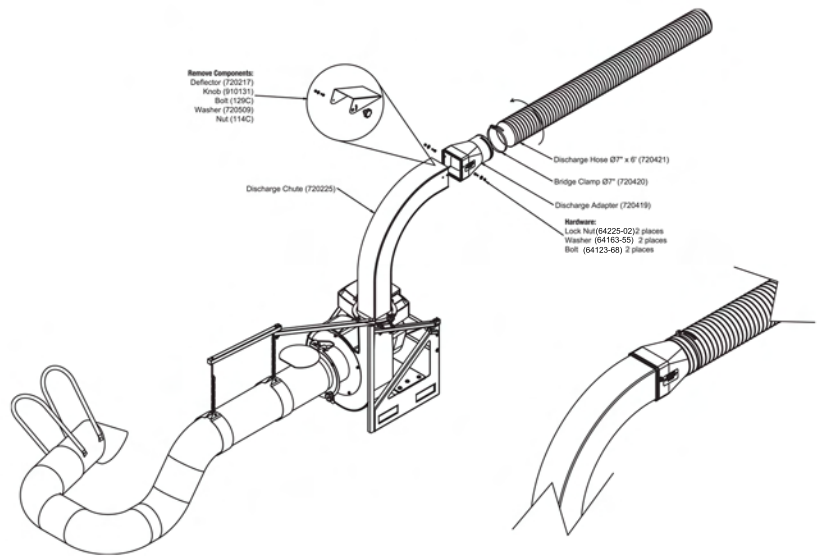


720030 - Discharge Hose Kit Assembly Instructions

Discharge Hose Kit

Contents of Discharge Hose Kit

1. Discharge Adapter (720419)
2. Discharge Hose (720421)
3. Bridge Clamp Ø7" (720420)
4. Hardware Bag:
 - Includes:
 - (2) Lock Nut 5/16-18(64229-02)
 - (2) Washer 5/16 (64163-55)
 - (2) Hex Bolt (64123-68)
5. Instructions (720708)



Tools Needed

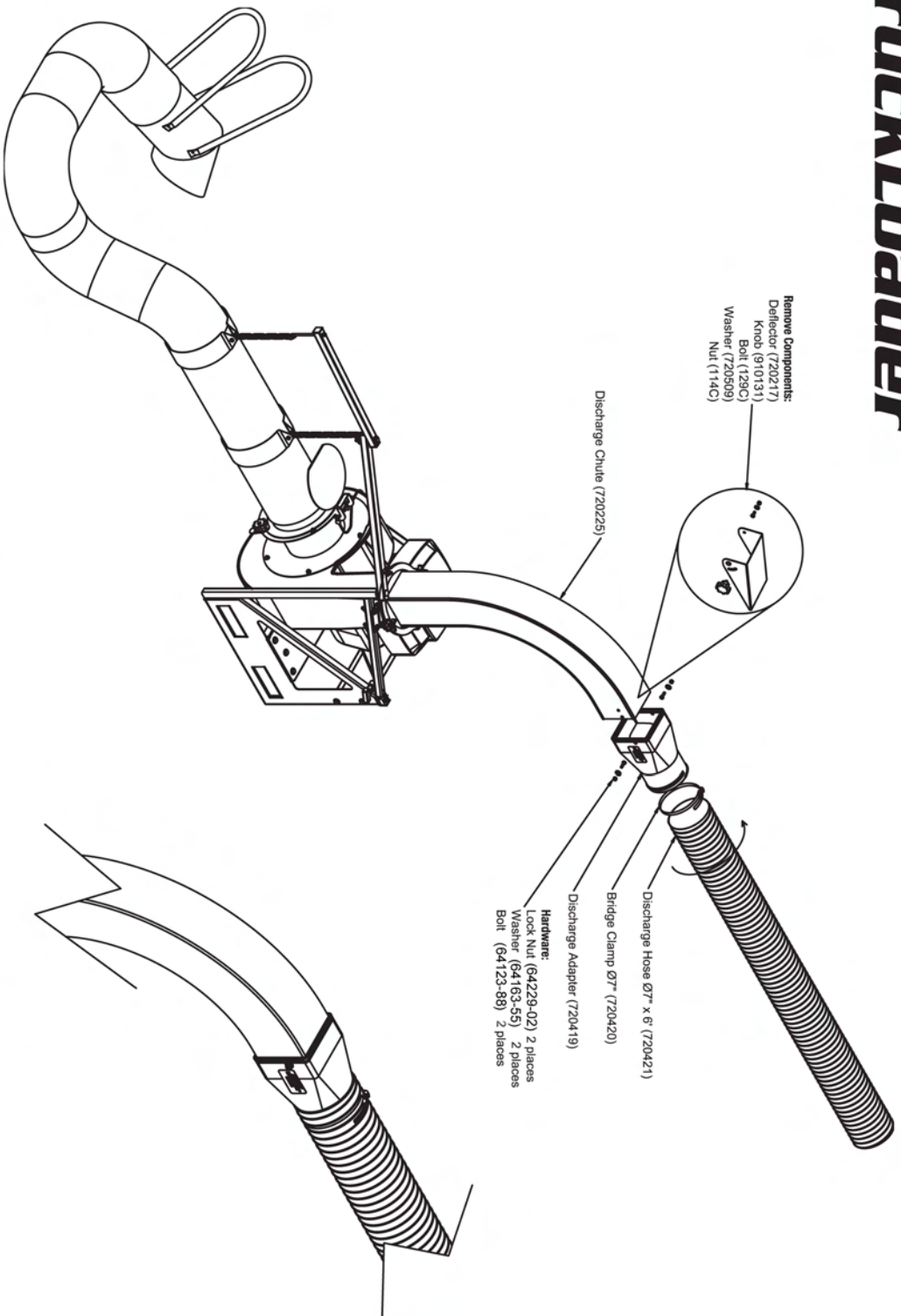
1. (2) 1/2" Box Wrenches
2. Flat Head Screw Driver
3. Utility Knife
4. Heavy Duty Wire Cutter

Assembly Instructions

1. Turn off TruckLoader engine.
2. Remove knob, hardware, and deflector from the TruckLoader Discharge Chute.
3. Slide the Discharge Adapter (720419) over the end of the Discharge Chute. Align the 2 holes in the Adapter with the holes in the Chute.
4. Insert 2 bolts(64123-68)from the inside of the Discharge Chute through the aligned holes.
5. Attach washers(64163-55)and nuts (64229-02) on the outside and tighten.
6. Screw the Discharge Hose (720241) over the "thread" on the end of the Discharge Adapter (clockwise when facing TruckLoader engine).
7. Attach the Bridge Clamp (720420) over the hose, behind the thread on the Discharge Adapter and tighten with screwdriver.
8. Insert the loose end of the hose into the receiver box on your truck. You can cut the hose to the required length with a utility knife and wire cutter. Secure end of hose to truck bed with rope or bungee cord as required.

A larger view of this illustration is available on the back of these instructions.

TruckLoader



⚠ WARNING ⚠ DANGER ⚠
ROTATING FAN. DON'T ATTEMPT TO REMOVE MATERIALS FROM DISCHARGE HOSE WHEN UNIT IS RUNNING, OR FAN IS ROTATING.

⚠ WARNING ⚠ DANGER ⚠
NEVER RUN OR OPERATE YOUR MACHINE UNLESS DISCHARGE HOSE IS DIRECTED INTO A RECEIVER BOX, AND THE INTAKE HOSE IS INSTALLED.

LITTLE WONDER
DIVISION OF SCHILLER-PFEIFFER, INCORPORATED
1028 STREET ROAD, P.O. BOX 38
SOUTHAMPTON, PA 18966
PHONE 877-596-6337 • FAX 215-357-8045