

THE LITTLE WONDER VARIABLE SWING-AWAY

(A Hitch Mounted Truck Loader Accessory)

Model #8010-00-01

ASSEMBLY INSTRUCTIONS AND OPERATOR'S MANUAL

FEATURES

Provides the adjustability of being assembled to set the rotation pivot at 28 and 33.5 inches from the centerline of your hitch receiver.

The adjustable pivoting allows this product to be properly fitted and installed on a variety of truck sizes.

Allows the ease of unloading your truck by swinging and locking the Truck Loader machine 180 degrees out of the way.

Gives the Truck Loader operator the flexibility to rotate and lock the machine in the 90 degree position towards the driver's side of the truck for easy curbside pick up.



⚠ WARNING ⚠ DANGER ⚠

WHEN THE PRODUCT IS LOCKED IN THE 180 DEGREE POSITION, DO NOT MOVE THE TRUCK.

⚠ WARNING ⚠ DANGER ⚠

THE VARIABLE SWING-AWAY HAS A WEIGHT OF 190 POUNDS AND CAUTION SHOULD BE USED WHEN HANDLING THIS PRODUCT.

⚠ WARNING ⚠ DANGER ⚠

NEVER RUN OR OPERATE YOUR LITTLE WONDER TRUCK LOADER WHEN ROTATING THE POSITION OF THE VARIABLE SWING-AWAY ACCESSORY.

⚠ WARNING ⚠ DANGER ⚠

WHEN INSTALLING THE VARIABLE SWING-AWAY TO YOUR HITCH RECEIVER OR ROTATING THE POSITION OF YOUR MOUNTED LITTLE WONDER TRUCK LOADER, MAKE SURE THE TRUCK IS OFF WITH THE BREAK APPLIED AND YOU ARE PARKED ON LEVEL GROUND.

⚠ WARNING ⚠ DANGER ⚠

WHEN YOU ARE ROTATING THIS ACCESSORY, MAKE SURE THE AREA IS CLEAR TO COMPLETE THIS MOVEMENT AND BE CAREFUL NOT TO GET ANY PART OF YOUR BODY CAUGHT BETWEEN THE ACCESSORY PARTS.

⚠ WARNING ⚠ DANGER ⚠

NEVER RUN OR OPERATE YOUR LITTLE WONDER TRUCK LOADER WHEN MOUNTING TO OR DISMOUNTING FROM THE VARIABLE SWING-AWAY ACCESSORY.

⚠ WARNING ⚠ DANGER ⚠

MAKE SURE THE ACCESSORY IS IN THE "CLOSED" POSITION AND LOCKED WITH KEY #14 EVERY TIME YOU MOUNT OR DISMOUNT IT FROM YOUR TRUCK.

⚠ WARNING ⚠ DANGER ⚠

WHEN DRIVING YOUR TRUCK GREATER THAN 5 MPH, THE UNIT MUST BE LOCKED IN THE "CLOSED" POSITION.

⚠ WARNING ⚠ DANGER ⚠

WHEN THE PRODUCT IS LOCKED IN THE 90 DEGREE POSITION, DO NOT HAVE YOUR TRUCK EXCEED 5 MPH.

PRE-ASSEMBLY

1. Unpack your VARIABLE SWING-AWAY parts and separate the hardware provided for this assembly. Note that Key #s 1, 2, 5, 6, 13, and 14 have been pre-assembled for you.
2. Based on the size of your truck and the location of your hitch receiver, decide whether the 28 inch or the 33.5 inch rotation pivot is best for your application. To make this decision, measure the distance from the center of your hitch receiver to the end of the driver's side of your truck. If this measurement is 38 inches or less, the 28 inch rotation pivot will work for your application. If your measurement is greater than 38 inches, it is recommended that you assemble this accessory using the 33.5 inch rotation pivot.

ASSEMBLY

1. Starting with the pre-assembled portion of this unit, position as shown in the exploded view with the face of Key #1 containing the 8 holes facing you.
- 2
 - a. (For the 28 inch rotation pivot setting only) With the center gusset of Key #3 pointing downward, align the left holes with the first set of holes (noted on the exploded view) in Key #1. Once this is aligned, insert the 4 bolts (Key #7) all the way thru to the back face of Key #2.
 - b. (For the 33.5 inch rotation pivot setting only) With the center gusset of Key #3 pointing downward, align the left holes with the second set of holes (noted on the exploded view) in Key #1. Once this is aligned, insert the 4 bolts (Key #7) all the way thru to the back face of Key #2.
3. With the 4 bolts (Key #7) in position, fasten the nuts (Key #8) using a torque range of 225 to 338 ft-lbs to secure Key #3 to the face of Key #1.
- 4
 - a. (For the 28 inch rotation pivot setting only) To properly install both Key #4s, locate the first and third mounting angles on the top and back surfaces of Key #2 (noted on the exploded view) and position as shown. Once positioned against the mounting angles, insert the 2 bolts Key #9 thru Key #4 and the top surface angle and the 2 bolts Key # 12 thru Key #4 and the back surface angle

for each Key #4.

- b. (For the 33.5 inch rotation pivot setting only) To properly install both Key #4s, locate the second and fourth mounting angles on the top surface of Key #2 (noted on the exploded view) and position as shown. Once positioned against the mounting angles, insert the 2 bolts Key #9 thru Key #4 and the top surface angle and the 2 bolts Key # 12 thru Key #4 and the back surface angle for each Key #4.
5. With each of the 4 bolts sets (Key #9 and Key #12) in position, fasten the nuts (Key #10) using a torque range of 77 to 120 ft-lbs to secure both Key #4s to the mounting angles of Key #2.
6. Utilizing each of the holes in the horizontal gussets of Key #3, attach Key #17 using Key #18 to Key #3 as shown in the exploded view.
7. Insert Key #11, with the lever found at the bottom of this part in the vertical position, all the way thru Key #2 using the first hole as shown in the exploded view. Once this pin is thru, rotate the lever to the horizontal (locked) position. This will prevent this part from coming out of this hole.

INSTALLATION

1. Prior to installing your VARIABLE SWING-AWAY to the hitch receiver of your truck, **MAKE SURE THE TRUCK IS OFF WITH THE BREAK APPLIED AND YOU ARE PARKED ON LEVEL GROUND.**
2. Before moving this unit, please make sure that Key #2 is closed and secured to Key #1 utilizing the mounting boss and Key #14. This is considered the "closed" position for this accessory. **THIS MUST BE THE POSITION THE ACCESSORY IS IN EVERY TIME YOU MOUNT OR DISMOUNT IT FROM YOUR TRUCK.**
3. To install this unit to your truck, insert the mounting bar of Key #3 into your Class 3 or greater hitch receiver. Once inserted, align the holes of Key #3's bar and your receiver to install Key #15. **WARNING: BECAUSE THIS PRODUCT HAS A WEIGHT OF 190 POUNDS, CAUTION SHOULD BE USED IN HANDLING AND COMPLETING THIS INSTALLATION.**

4. Once Key #15 is inserted thru Key #3 and your hitch receiver, secure Key #15 in place with Key #16.
5. Utilizing the “S” hook of each Key #17, secure the safety chains to your truck.
6. To mount your LITTLE WONDER TRUCK LOADER product to this accessory, place it on top of Key #4s and position with the mounting holes and slots provided. Once the mounting holes and slots are aligned, insert the 4 bolts (Key #12). Next, fasten the nuts (Key #10) using a torque range of 77 to 120 ft-lbs to secure the product frame to the accessory.
5. Once Key #11 is removed, swing the product around 90 degrees or 180 degrees until the holes in Key #1 and Key #2 (noted on the exploded view) are aligned. Once a position is determined and the holes are aligned, slide Key #11 thru Key #1 and Key #2 and rotate the lever to the “locked” position. **WARNING: WHEN THE PRODUCT IS LOCKED IN THE 90 DEGREE POSITION, DO NOT HAVE YOUR TRUCK EXCEED 5 MPH. WHEN THE PRODUCT IS LOCKED IN THE 180 DEGREE POSITION, DO NOT MOVE THE TRUCK.**

OPERATION

1. Now that you have completely assembled and installed your unit using our instructions, again please note that the position your unit is in is called the “Closed” position. **WHEN DRIVING YOUR TRUCK GREATER THAN 5 MPH, THE UNIT MUST BE LOCKED IN THIS POSITION.**
2. Before you decide to change the position of your LITTLE WONDER TRUCK LOADER, **MAKE SURE YOU ARE ON LEVEL GROUND, THE UNIT IS TURNED OFF, AND THE TRUCK IS IN PARK WITH THE BREAK APPLIED.**
3. To change the position of your unit to swing 90 degrees for curb side clean-up or 180 degrees for emptying your truck, remove Key #14. Once removed, you will be able to begin this rotation. Once you have cleared the locking boss located on Key #1, please replace Key #14 for storage of this part.
4. Before you continue your rotation of your LITTLE WONDER TRUCK LOADER, please remove Key #11 from its position. To remove this part, rotate the lever found at the bottom of this part to the vertical position. This position will allow the pin to be removed. This is the locking pin you will use for locking the accessory in the 90 degree and 180 degree positions.
6. To return to the locked position, **MAKE SURE YOU ARE ON LEVEL GROUND, THE UNIT IS TURNED OFF, AND THE TRUCK IS IN PARK WITH THE BREAK APPLIED.** Once this is checked, first remove Key #14 from the mounting boss on Key #1. Next, secure the position of your unit and slowly remove Key #11. Once removed, slowly and carefully rotate the unit towards the closed position. **MAKE SURE WHEN YOU ARE CLOSING THIS UNIT THAT THE AREA IS CLEAR TO COMPLETE THIS MOVEMENT. ALSO, AS YOU CLOSE THIS UNIT, BE CAREFUL NOT TO GET ANY PART OF YOUR BODY CAUGHT BETWEEN THE ACCESSORY PARTS.**
7. Once the unit is closed, insert Key #14 into the mounting boss of Key #1.
8. Replace Key #11 into the original hole in Key #2.

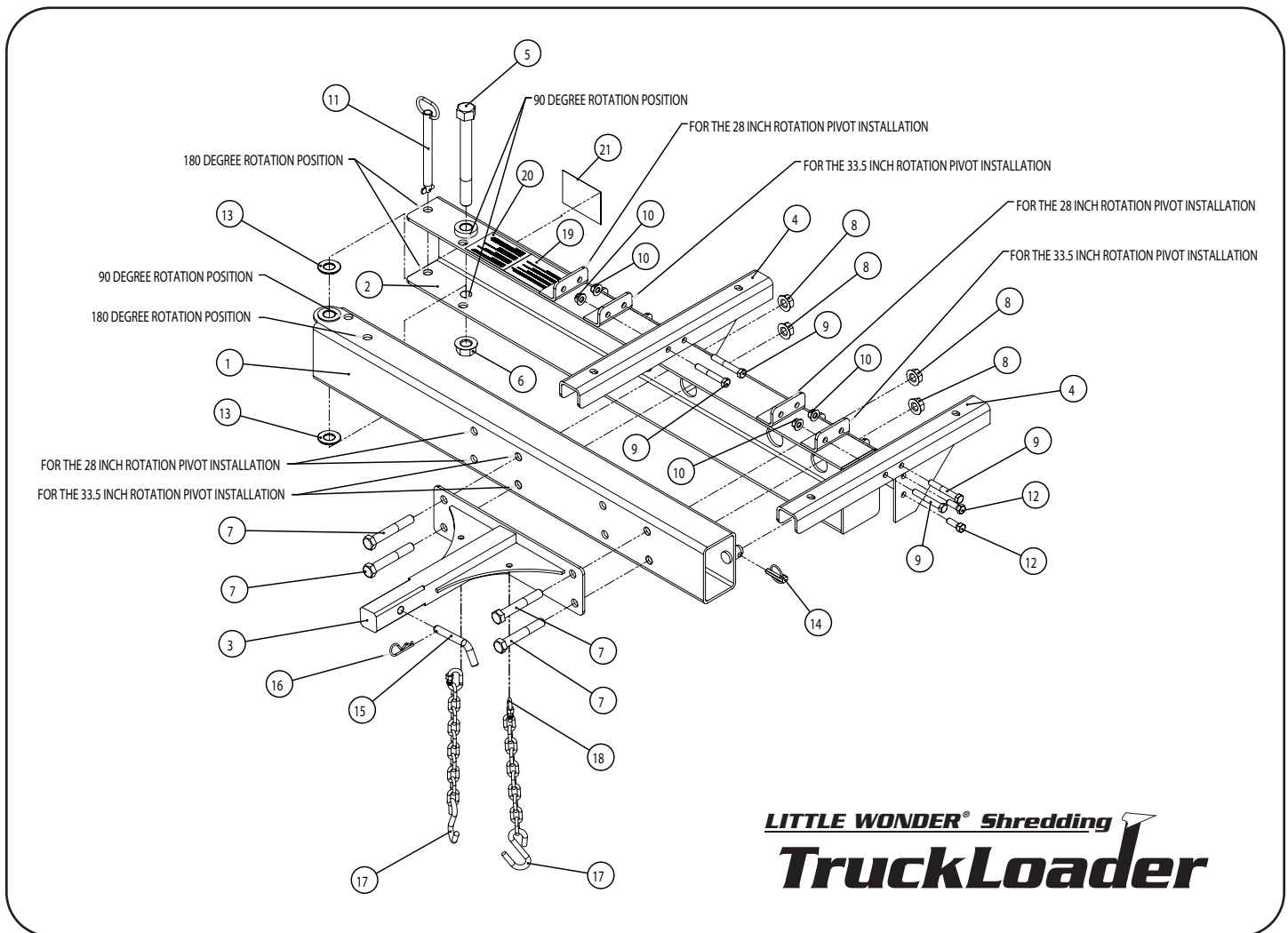
MAINTENANCE

1. When removing and re-installing all hardware, inspect to make sure there is no damage to each part. If damage is present, replace with the appropriate LITTLE WONDER part number noted in this manual.
2. At the beginning of each season, insert a #2 lithium-based moly grease into the fitting supplied at the hinge of this product (Key #5).

Part Numbers

Key No.	Part No.	Description	Qty.
1	720549	MOUNTING TUBE	1
2	720551	ROTATION CHANNEL	1
3	720555	RECEIVER BAR	1
4	720553	MOUNTING CHANNEL	2
5	720541	1-8 x 9.50 LG GRADE 8 BOLT	1
6	720543	1-8 GRADE "C" LOCK NUT	1
7	720545	3/4-10 x 5.00 LG GRADE 8 BOLT	4
8	720546	3/4-10 GRADE "G" LOCK NUT	4
9	720547	1/2-13 x 3.50 LG GRADE 8 BOLT	4
10	720548	1/2-13 GRADE "G" LOCK NUT	12
11	720544	0.75 x 7.00 HITCH PIN	1

Key No.	Part No.	Description	Qty.
12	720557	1/2-13 x 1.50 LG GRADE 8 BOLT	8
13	720428	1-8 THRUST WASHER	2
14	720559	LINCH PIN LOCK	1
15	720522	RECEIVER PIN	1
16	720523	HAIRPIN COTTER PIN	1
17	720418	CHAIN-HOOK ASSEMBLY	2
18	720524	QUICK LINK	2
19	720610	WARNING LABEL "A"	1
20	720611	WARNING LABEL "B"	1
21	720612	LITTLE WONDER LABEL	1



LITTLE WONDER® Shredding
TruckLoader

LITTLE WONDER®
 DIVISION OF SCHILLER-PFEIFFER, INCORPORATED
 1028 STREET ROAD, P.O. BOX 38
 SOUTHAMPTON, PA 18966
 PHONE 877-596-6337 • FAX 215-357-8045
 www.littlewonder.com

© 2006 Little Wonder, Div. of Schiller-Pfeiffer Inc. All Rights Reserved.
 Specifications, descriptions, and illustrative material in this literature are as accurate as known at the time of publication,
 but are subject to change without notice.