

# LITTLE WONDER®

## Swivel Wheel Kit for High Performance Vacuum

(Models: 5601, 5611, 5621, 5631)

**NOTE:** These instructions cover both Swivel Wheel Kits:  
600041 for Self Propelled, and 600040 for Standard Vacuum

**PLEASE REFER TO YOUR HPV OWNER'S  
MANUAL FOR PARTS ASSEMBLY WHILE  
MOUNTING.**

### **TOOLS REQUIRED**

Retaining Ring Pliers  
1/2" box or ratchet wrench  
5/32" allen (hex) wrench

### **INSTRUCTIONS:**

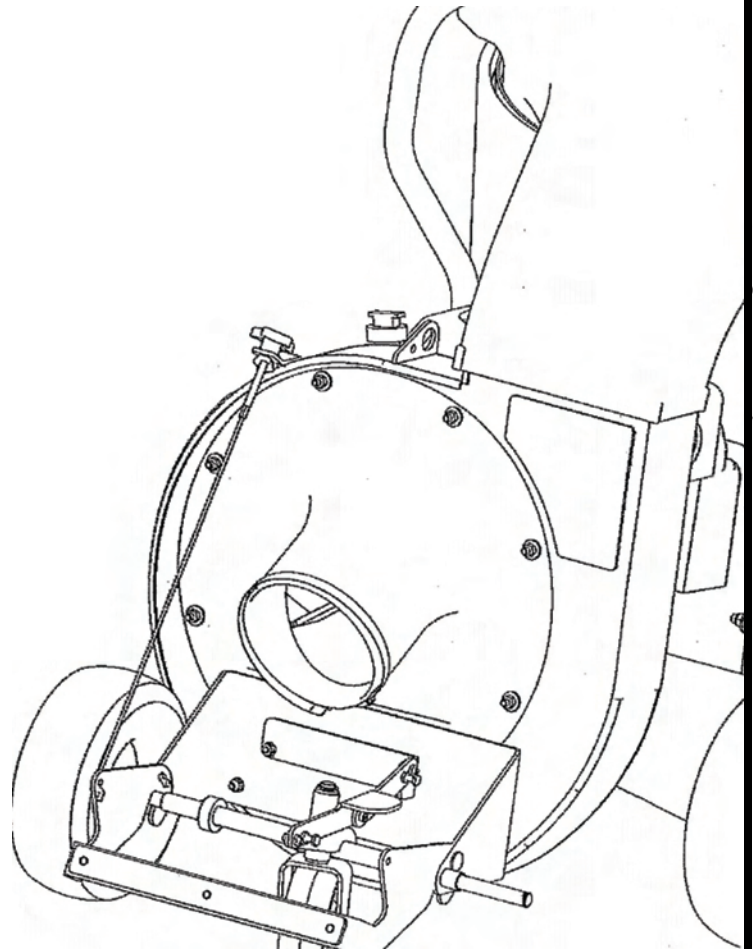
1. Make sure engine is off. Push down on handle, lifting front wheels off ground approximately 2". Place two 2 X 4's stacked on their sides under housing. Lower handle. Front wheels should be approximately 1" off the ground.
2. Remove retaining ring (600562) from the left end (viewed from operator position) of front axle (600188). Remove left front wheel and wheel spacer (600137). For self propelled models (5621/5631) also remove wheel weights and discard. From the right side, pull the attached wheel so that the left end of the front axle slides through the left side of the front wheel bracket and almost to the right side of the front wheel bracket. (Lifting the nozzle slightly may make this slide easier.)
3. Remove 2 top flange nuts (114B) from the front wheel bracket.

**Models 5601/5611 only:** Make sure the set-screw collar is on the tube of the Swivel Wheel Kit. Position the Swivel Wheel Kit with long portion of the tube to the right side.

**Models 5621/5631 only:** Slide new weight (600289.7) onto tube with set screw to the right side.

**All models:** Push front axle through tube and through the hole in the left side of the front wheel bracket.

4. Replace wheel spacer and front wheel on front axle. Re-install retaining ring.
5. Place red Mounting bracket (600285.17) of swivel wheel kit over the 2 threaded studs where you removed the 2 flange nuts. Reinstall flange nuts and tighten to 16-22 foot pounds torque.
6. Make sure the set-screw in the collar (or weight) goes through the hole in the tube. Make sure that you have approximately the same amount of space on each side between the tube and the front wheel bracket. Tighten the set screw with a hex wrench so that it locks the tube onto the front axle.



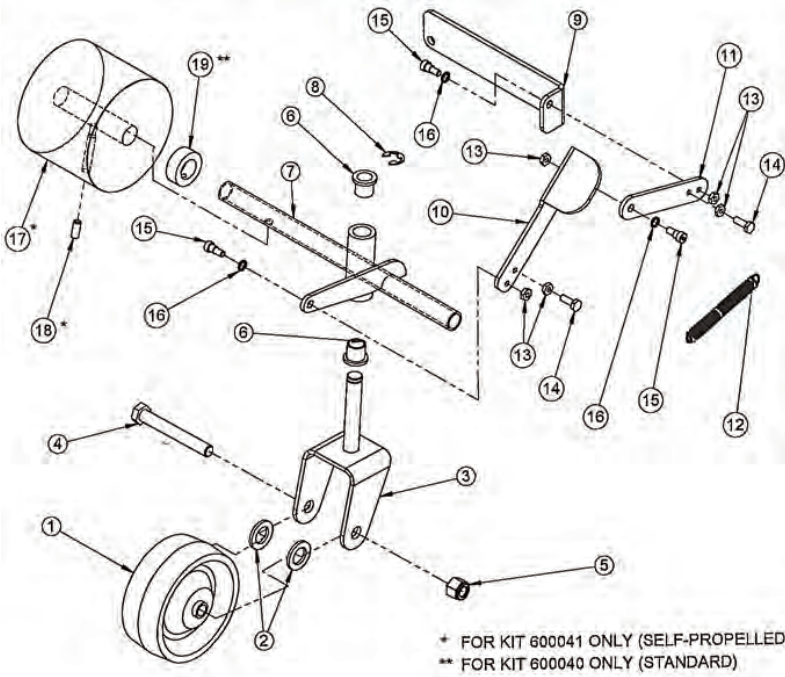
**NOTE:** Nozzle, Hose and Wheel shown removed for clarity.

**YOUR SWIVEL WHEEL KIT IS  
READY TO USE!!**

**OPERATION:**

1. Step down on the foot pad area of the linkage to engage the swivel wheel. (This is most easily done if the swivel wheel is swiveled toward the front of the machine.)
2. Gently pull on the center of the spring and move it over the foot pad. This locks the swivel wheel into engaged position. It also provides a spring suspension for the swivel wheel that absorbs bumps and protects the swivel wheel from damage.
3. To retract the swivel wheel: Gently pull on the center of the spring and move it to below the foot pad. Lift the foot pad. The swivel wheel will retract.
4. The swivel wheel “stores” against the nozzle and is most easily engaged the next time if it is swiveled toward the front of the machine before retracting. If you pull your vacuum backward a few feet before retracting the swivel wheel, it will automatically be in the proper position for storage.
5. **NOTE:** *The swivel wheel kit is recommended for use on hard surfaces only.* Use on grass or soil may leave depressions in the surface.

**Swivel Wheel Kit  
Parts Explosion and List**



Key No.	Part Number	Description	Qty
1	600290	Wheel-Swivel Wheel LV	1
2	600268	Washer-.762 x 1-1/4 x .25	2
3	600276.7	Yoke Assy-LV Swivel Wheel	1
4	600560	Bolt-1/2-13 x 3-3/4 GR5 HH	1
5	600561	Nut-Nyloc 1/2-13	1
6	600287	Bushing-Flanged, Oilite	2
7	600279.7	Tube Assy- LV Swivel Wheel	1
8	600562	Retaining Ring 5/8	1
9	600285.17	Bracket-Mounting	1
10	600283	Linkage Foot Pedal	1
11	600284	Linkage Straight	1
12	600286	Spring-Swivel Wheel LV	1
13	600565	Nut-Jam 1/4-20 Zinc-plated	5
14	600537	Bolt-1/4-20 x 3/4 Lg GR5 Zinc	2
15	600553	Bolt-Shoulder 5/16 x 1/4	3
16	600566	Shim-.312ID x .438OD x .060 Thick SS	3
17	600289.7	Weight-Swivel Wheel LV	1
18	600554	Setscrew-5/16-18 x 1/2 lg Hex	1
19	600569	Collar-7/8	1

**LITTLE  
WONDER®**

SCHILLER GROUNDS CARE, INC.  
 1028 STREET ROAD, P.O. BOX 38 • SOUTHAMPTON, PA 18966  
 PHONE: 215-357-5110 • FAX: 215-357-8045  
 © 2010 Schiller Grounds Care, Inc. All Rights Reserved P/N 4163239 Rev, A