



HPV Intake Hose Kit Assembly Instructions (600020)

HPV Intake Hose Kit

Contents of Intake Hose Kit

1. Instructions (600705)
2. Intake Nozzle (600168)
3. Nozzle Handle (600169.17)
4. Intake Hose, 7" Dia x 12'lg. (600167)
5. (2) Bridge clamp, 7" Dia (720420)
6. Hardware Bag

Includes:

- (4) Bolts 1/4 -20 X 1.5" (64123-07)
- (4) Nut, Nylock, 1/4-20 (64229-01)
- (4) Flat washer, 1/4" USS (64163-03)

Tools Required

1. 5/16 socket wrench or flat head screw driver
2. 7/16 box or ratchet wrench
3. 5/32 hex Allen wrench

**Intake Hose Kit illustration is available
on the back of these instructions.**

Assembly Instructions

Remove the nozzle assembly from the base unit.

1. Turn off engine and let it come to a complete stop.
2. Loosen the hose clamp nearest to the hosing on the nozzle assembly
3. Remove the 2 knobs located behind the nozzle.
4. Slide the nozzle assembly off the axle and the hose off the front plate
5. Screw the knobs back into the axle bracket so that they are secure and will not get lost.

Assemble Handles to intake Nozzle

1. Insert the bottom bend in the handles into the formed channel on the side of the nozzle. (Spread handles slight to snap in place)
2. Insert (4) bolts from outside.
3. Attach washers and nuts from the inside and tighten until snug.

Assembly the intake hose kit to the base unit

1. Slide one end of the intake hose (600167) over the straight end of the intake nozzle (600168).
2. Secure hose with bridge clamp (720420).
3. Slide the other end of the hose over the inlet on the front plate of the base unit until the bottom side of the hose touches the front plate
4. Rotate the hose assembly such that the handles on the intake nozzle are upright
5. Secure hose to base unit with bridge clamp (720420)

NOTE:

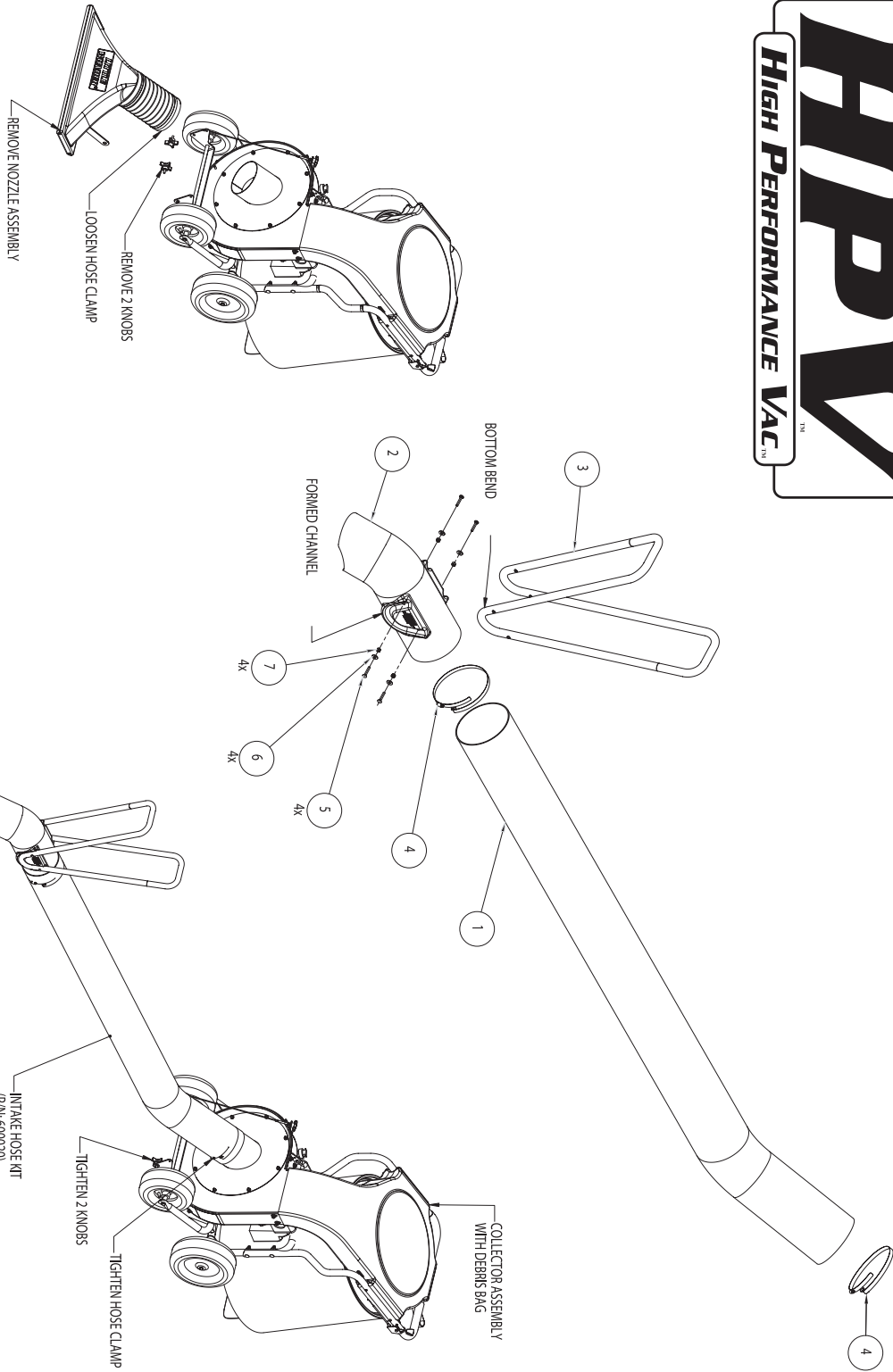
Periodically rotate hose position to maximize wear life.

WARNINGS:

Keep pets, animals, and children away from work area.

Turn off machine before attempting to clear clogs.

LITTLE WONDER®
HPV
HIGH PERFORMANCE VAC™



▲ WARNING ▲ DANGER ▲
 DO NOT VACUUM WATER OR EXCESSIVELY WET MATERIAL, THIS MAY DAMAGE EQUIPMENT.

▲ WARNING ▲ DANGER ▲
 DO NOT VACUUM LARGE OR HARD OBJECTS. DO NOT FORCE ANYTHING INTO VACUUM.

LITTLE WONDER®
 DIVISION OF SCHILLER-PFEIFFER, INCORPORATED
 1028 STREET ROAD, P.O. BOX 38
 SOUTHAMPTON, PA 18966
 PHONE 877-596-6337 • FAX 215-357-8045

www.littlewonder.com

P/N 600705 05/05

Specifications, descriptions, and illustrative material in this literature are as accurate as known at the time of publication, but are subject to change without notice.