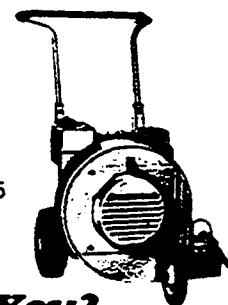


# LITTLE WONDER®

DIVISION OF SCHILLER-PFEIFFER, INCORPORATED

1028 STREET ROAD, P.O. BOX 38  
PHONE # 215-357-5110

SOUTHAMPTON, PA 18966  
FAX # 215-357-8045



**Professionals Demand Little Wonder, Shouldn't You?**

## OPERATING, ASSEMBLY INSTRUCTIONS, AND PARTS LIST FOR LITTLE WONDER BLOWERS

CAT. NOS. 9005S, 9005P, 9005PI/C, 9008P, 9008PI/C, 9111P, 9111PI/C, 9009H, 9009VG

**Warning:** The engine exhaust from this product contains chemicals known to the State of California to cause cancer, birth defects or other reproductive harm.

### IMPORTANT SAFETY INSTRUCTIONS

1. **READ AND FOLLOW ALL INSTRUCTIONS.**
2. **DRESS PROPERLY** — Do not wear loose clothing or jewelry. They can be caught in moving parts. Use of sturdy gloves, non-skid footwear and safety glasses recommended. Always wear ear protectors where possible. Use face filter to avoid breathing dust.
3. **STAY ALERT** — Watch what you are doing and use common sense. Do not operate blower when fatigued.
4. **▲ DANGER ROTATING FAN — KEEP HANDS AWAY FROM AIR INTAKE AND AIR OUTLET CHUTE** — Keep both hands on handles when power is on. Do not attempt to remove material when blower is running.
5. **▲ DANGER — DO NOT INSTALL OR REMOVE ATTACHMENTS WHILE BLOWER IS RUNNING.** Turn off engine to make changeover. Be sure throttle is in the stop position, and the blower has come to a complete stop. Remove the spark plug wire before removing material.
6. **▲ WARNING — KEEP CHILDREN AND INCAPABLE PERSONS AWAY** — Do not permit children to contact blower. Keep children a safe distance from work area. Never allow a person mentally ill, under influence of alcoholic drinks or drugs, or too young in age, to operate the blower.
7. **DO NOT POINT THE BLOWER OUTLET** in the direction of people, cars, glass, or other similar items which could be injured or damaged by blown debris.
8. **DON'T OVERREACH OR STAND ON UNSTABLE SUPPORT.** — Keep good footing and balance at all times.
9. **HANDLE GASOLINE WITH CARE. IT IS HIGHLY FLAMMABLE.** Refuel before starting work. Do not smoke while handling fuel. Do not refuel a hot or running engine. Avoid spilling fuel or oil. Always wipe unit dry before using. Move at least 10 feet away from the fueling point before starting engine. Always store gasoline in an approved container. Fill tank outdoors with extreme care — never fill indoors. Replace gasoline cap securely. If fuel is spilled move blower and fuel container from area and do not create a source of ignition.
10. **CAUTION** - Do not start or run engine indoors as poisonous carbon monoxide is emitted. Do not operate in un-ventilated area.
11. **MULTIPLE OPERATORS** — Keep a safe distance between two or more operators when working together simultaneously.
12. **DO NOT USE** the blower when electric system causes spark outside the cylinder. Check spark plug from time to time. When checking, keep plug a safe distance from cylinder to avoid burning of evaporated fuel from cylinder.
13. **MAINTAIN AND EXAMINE BLOWER WITH CARE** — Follow maintenance instructions given in manual. Do not use the blower if the muffler is defective or missing.
14. **STORE BLOWER INDOORS** - When not in use, store blower indoors in a sheltered area (a dry place) where not accessible to children. The blower, as well as fuel, should not be stored in a house. Keep throttle in stop position.
15. **DO NOT ATTEMPT TO REPAIR BLOWER** — Have repairs made by qualified dealer or repairman. See that only Little Wonder replacement parts are used.
16. **BE SURE BLOWER IS FULLY ASSEMBLED** — Never operate blower without all guards and deflectors in place. Ensure that all nuts, bolts, screws are installed and properly tightened.
17. **ALWAYS KEEP THE THROTTLE IN THE "STOP" POSITION WHEN NOT IN USE.**
18. **▲ WARNING! IN ORDER TO AVOID ENGINE DAMAGE DUE TO OVER-HEATING OR OVER-REVVING, KEEP ENGINE RECOIL STARTER ASSEMBLY, THE BLOWER INTAKE AND OUTLET AREAS, OR HOSE ACCESSORIES CLEAR AND FREE OF LEAVES OR OTHER DEBRIS.**
19. **▲ WARNING** — Fan coasts after turn off.
20. Never operate blower without all guards and legible warning labels in place. Replace all labels should they become damaged or are illegible.

### ASSEMBLY INSTRUCTIONS: (5,8,9HP)

\* NOTE: Numbers in brackets (-) represent key Numbers shown on Parts List, and parts explosion.

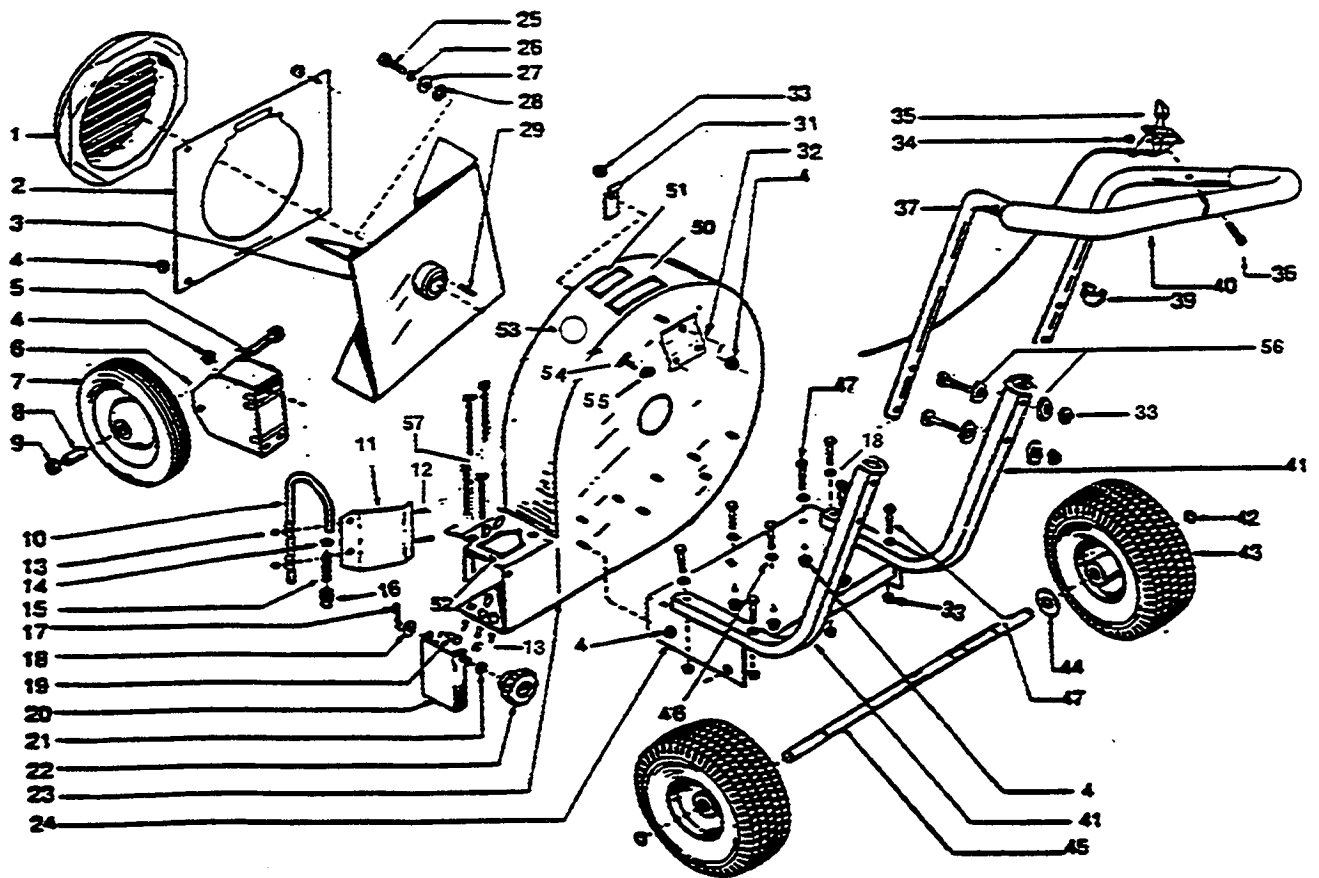
- A. Install lower handles (41) on top of deck (2 places). Secure with four cap screws (47) four nuts (33) and four silver washers (18) (finger tight).
- B. Install upper handle (37) with four cap screws (47), four nuts (33) and gold washers (56). Secure all nuts and bolts with wrench. Do not tighten bolts until all handles are in place.
- C. Attach throttle with cap screw (36) and nut (34) thru hole on either right or left side of upper handles (37), and connect throttle cable clip (39) to upper handles (37).
- D. Tilt machine back on handle and install front wheel housing (6) to three studs on lower front of blower housing. Secure with three nuts (4).
- E. Insert axle sleeve (8) in wheel (7) and install on front wheel housing (6) with axle bolt (5), secure with axle nut (9).

# PARTS LIST

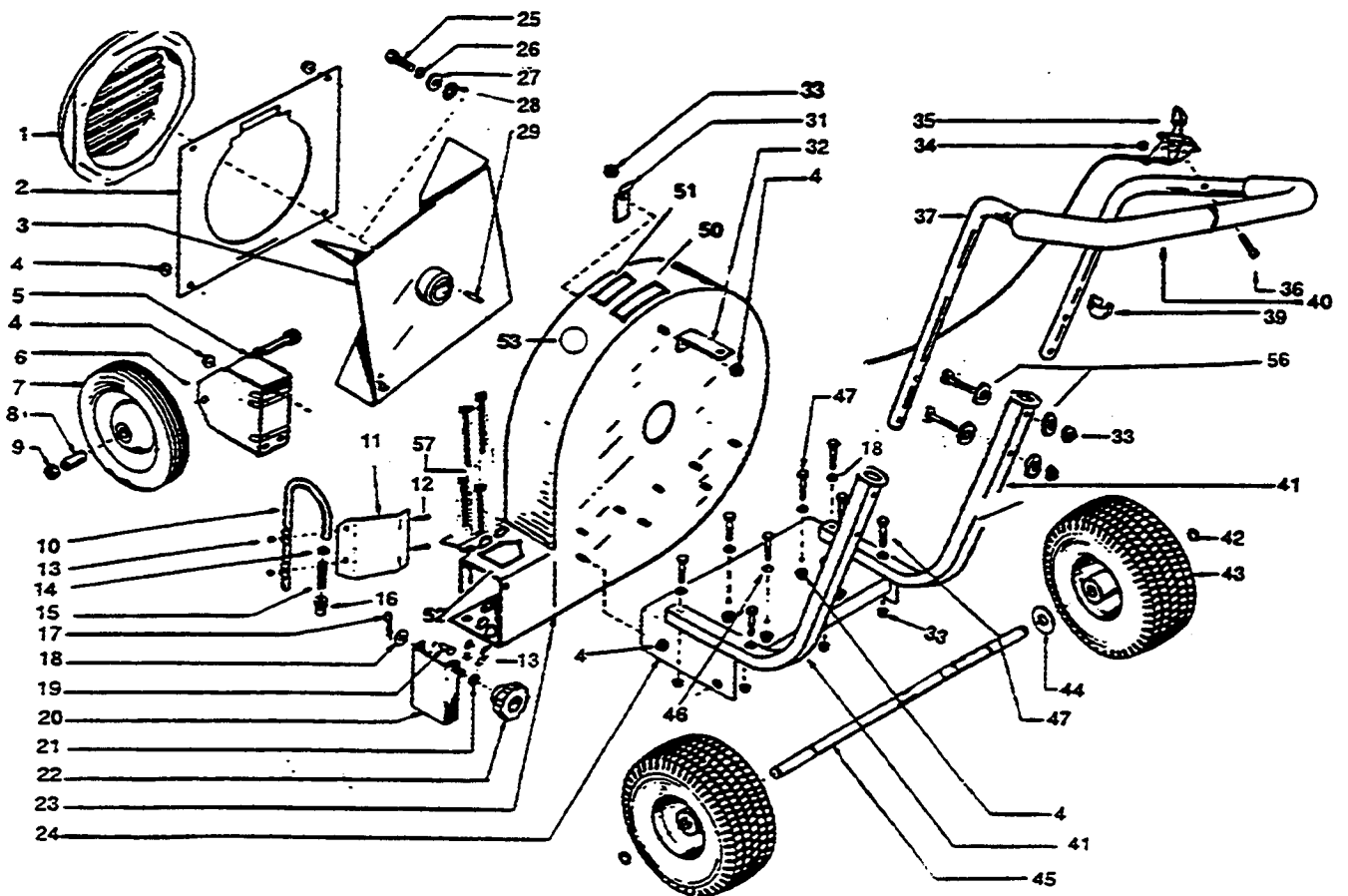
*When ordering replacement parts, specify by PARTNUMBER. Do not order by Key number or Assembly number.*

Key Number	Part Number	Description	Quantity per unit for each Blower catalog number.						
			9005S	9005P	9005PIC	9008P	9008PIC	9009H	9009VG
1	954-1	Intake Guard Assembly	1	1	1	1	1	1	1
2	929-1	Cover Plate	1	1	1	1	1	1	1
3	907	Fan Assembly 5 H.P.	1	1	1	-	-	-	-
3	913	Fan Assembly 8 H.P.	-	-	-	1	1	1	1
4	114B	Flange Nut 5/16 - 18	20	20	20	20	20	20	20
5	102A	Bolt 3/8 - 16 x 3" long	1	1	1	1	1	1	1
6	944	Wheel Housing	1	1	1	1	1	1	1
7	106	8" Symmetrical Wheel	1	1	1	1	1	1	1
8	102C	Axle Sleeve	1	1	1	1	1	1	1
9	102B	Lock Nut 3/8 - 16	1	1	1	1	1	1	1
10	970	Deflector Handle	1	1	1	1	1	1	1
11	966	Deflector	1	1	1	1	1	1	1
12	329	Bolt 10-32 x 5/8	2	2	2	2	2	2	2
13	973	Lock Nut 10-32	6	6	6	6	6	6	6
14	8-18	Grip Ring	1	1	1	1	1	1	1
15	952	Spring	1	1	1	1	1	1	1
16	967	Index Slide Lock Bushing	1	1	1	1	1	1	1
17	924	Hitch Pin Clip	1	1	1	1	1	1	1
18	163	Washer - Flat 3/8	5	5	5	5	5	5	5
19	170	Clevis Pin	1	1	1	1	1	1	1
20	936	Side Deflector 5 H.P.	1	1	1	-	-	-	-
20	937	Side Deflector 8 H.P.	-	-	-	1	1	1	1
21	963	External Tooth Lock Washer	1	1	1	1	1	1	1
22	154	Knob	1	1	1	1	1	1	1
23	902	Blower Housing 5 H.P.	1	1	1	-	-	-	-
23	905	Blower Housing 8 H.P.	-	-	-	1	1	1	1
24	900	Deck 5 H.P.	1	1	1	-	-	-	-
24	901	Deck 8 H.P.	-	-	-	1	1	-	-
24	901-11VH	Deck 9 H.P.	-	-	-	-	-	1	1
25	939	Bolt Grade 5, 3/8-24 N.F. x 1 1/4" lg.	1	1	1	-	-	-	-
25	938	Bolt Grade 5, 7/16-20 N.F. x 1 1/2" lg.	-	-	-	1	1	1	1
26	941	Lock Washer - Split 3/8	1	1	1	-	-	-	-
26	940	Lock Washer - Split 7/16	-	-	-	1	1	1	1
27	950	Washer 1" O.D. x 7/16 I.D. x 3/16 THK	1	1	1	1	1	1	1
28	951	Internal & External - Lockwasher	1	1	1	1	1	1	1
29	915	Key For Fan 1/4 x 1/4 x 2" lg.	1	1	1	1	1	-	-
29	920	Key For Fan 1/4 x 1/4 x 1 1/2" lg.	-	-	-	-	-	1	1
31	927	Intake Guard - Clamp	1	1	1	1	1	1	1
32	968	Bracket Eng. To Housing 5 H.P.	1	1	1	-	-	-	-
32	969	Bracket Eng. To Housing 8 H.P.	-	-	-	1	1	-	-
32	955	Bracket Eng. To Housing Honda	-	-	-	-	-	1	-
32	956	Bracket Eng. To Housing Vanguard	-	-	-	-	-	-	1
33	114C	Lock Nut 5/16-18	9	9	9	9	9	9	9
34	972	Lock Nut 1/4-20	1	1	1	1	1	1	1
35	943	Throttle	-	-	-	-	-	1	1
35	945	Throttle	1	1	1	1	1	-	-
36	378	Hex Head Cap Screw 1/4-20 x 1 1/2	1	1	1	1	1	1	1
37	917-1	Upper Handle	1	1	1	1	1	1	1
38	113	Hex Head Screw 5/16-18 x 1 1/2"	8	8	8	4	4	4	4
39	946	Throttle Clip	1	1	1	1	1	1	1
40	900302	Grip Set	1	1	1	1	1	1	1
41	916-2	Lower Handle	2	2	2	2	2	2	2
42	312	Retaining Ring	2	2	2	2	2	2	2
43	933-1	10" Semi-Pneumatic Wheel	2	-	-	-	-	-	-
43	934-1	10" Pneumatic Wheel	-	2	2	2	2	2	2
44	405-1	Washer - Light 5/8 I.D.	4	-	-	-	-	-	-
45	932-1	Axle	-	1	1	1	1	1	1
45	932-2	Axle	1	-	-	-	-	-	-
46	129D	Lockwasher 5/16	4	4	4	4	4	4	4
47	942	Hex Head Cap Screw 5/16-18 x 1 3/4"	4	4	4	8	8	8	8
	930	Engine 9 H.P. Honda	-	-	-	-	-	1	-
	931	Engine 9 H.P. Vanguard	-	-	-	-	-	-	1
	947	Engine 5 H.P. Briggs & Stratton	1	1	-	-	-	-	-
	947-1C	Engine 5 H.P.I.C. Briggs & Stratton	-	-	1	-	-	-	-
	948	Engine 8 H.P. Briggs & Stratton	-	-	-	1	-	-	-
	948-1C	Engine 8 H.P.I.C. Briggs & Stratton	-	-	-	-	1	-	-
50	985-1	Label 9005S	1	-	-	-	-	-	-
50	985-2	Label 9005P	-	1	-	-	-	-	-
50	985-3	Label 9008P	-	-	-	1	-	-	-
50	985-7	Label 9008 PIC	-	-	-	-	1	-	-
50	985-8	Label 9005 PIC	-	-	1	-	-	-	-
50	974	Label 9009H	-	-	-	-	-	1	-
50	975	Label 9009VG	-	-	-	-	-	-	1
51	961	Label Warning	1	1	1	1	1	1	1
52	683	Label Warning	1	1	1	1	1	1	1
53	4036	Ear and Eye Label	1	1	1	1	1	1	1
54	8-57	Bolt 3/8 - 16 x 1"	-	-	-	-	-	2	-
54	701700	Bolt 5/16 - 18 x 1"	-	-	-	-	-	-	2
55	941	Lock Washer Split 3/8"	-	-	-	-	-	2	-
55	129D	Lock Washer 5/16"	-	-	-	-	-	-	2
56	900503	5/16 x .030 Yellow Plated Washer	8	8	8	8	8	8	8
57	900502	10-32 x 5 1/4 Bolt	4	4	4	4	4	4	4

# BLOWER CATALOG #9009H, 9009VG



# BLOWER CATALOG #9005S, 9005P, 9005PI/C, 9008P, 9008PI/C



# — PARTS LIST —

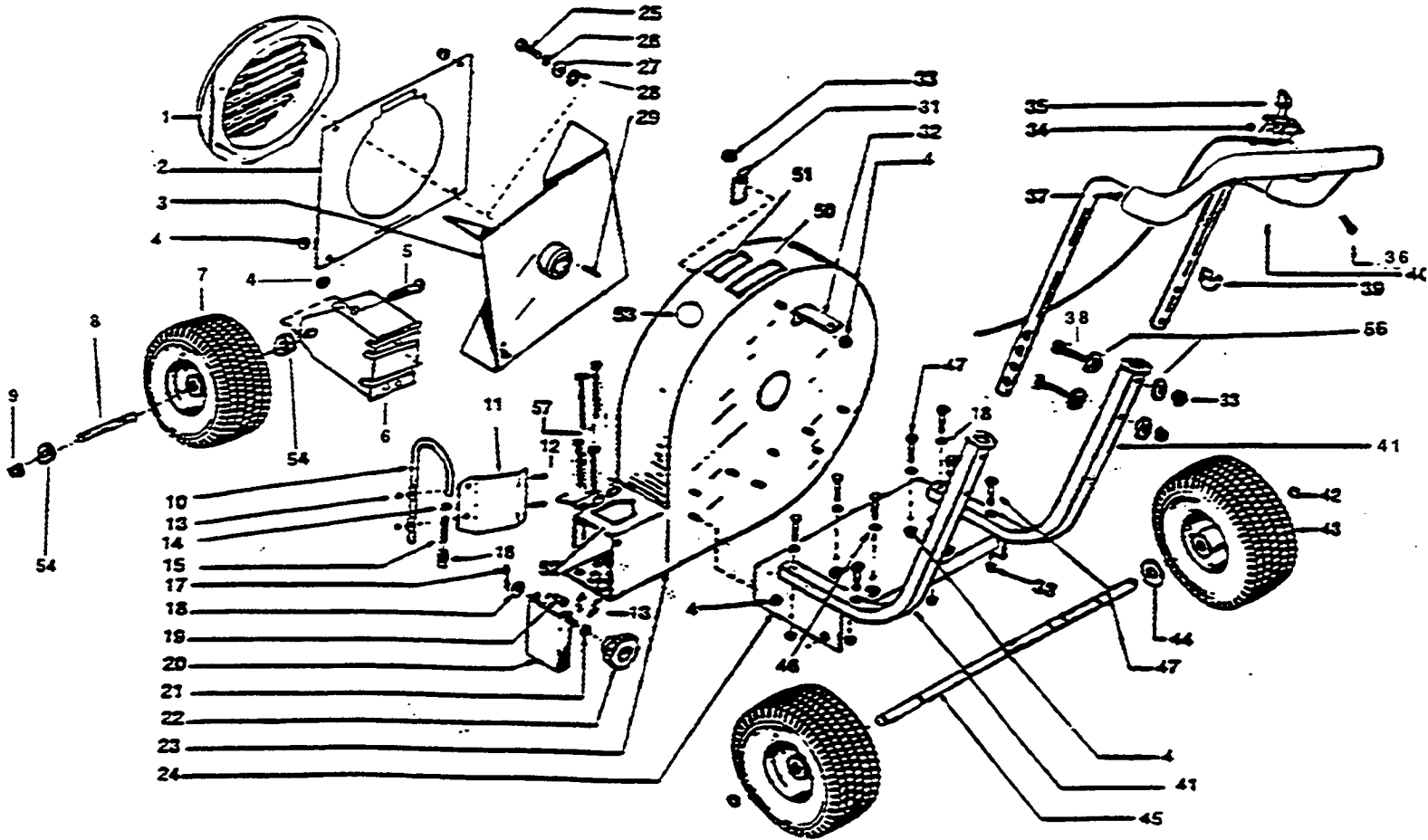
**When ordering replacement parts, specify by PART NUMBER. Do not order by Key number.**

Key Number	Part Number	Description	Quantity per unit for each Blower catalog number	
			9111P	9111P/C
1	954-1	Intake Guard	1	1
2	929-1	Front Panel	1	1
3	900200	11 H.P. Fan Assembly	1	1
4	114B	Flange Nut 5/16-18	20	20
5	900501	Front Axle Bolt 3/8-16 x 5 1/4	1	1
6	900401	Wheel Housing	1	1
7	934	10" Symmetrical Wheel (Front)	1	1
8	900404	Front Wheel Sleeve	1	1
9	102B	Lock Nut 3/8-16	1	1
10	970	Deflector Handle	1	1
11	900101	11 H.P. Deflector	1	1
12	329	Bolt 10-32 x 5/8	2	2
13	973	Lock Nut 10-32	8	8
14	8-18	Grip Ring	1	1
15	952	Spring	1	1
16	967	Index Slide Lock Bushing	1	1
17	924	Hitch Pin	1	1
18	163	Flat Washer 3/8	5	5
19	170	Clevis Pin	1	1
20	900102	Side Deflector 11H.P.	1	1
21	963	External Tooth Lock Washer	1	1
22	154	Knob	1	1
23	900000	Blower Housing 11 H.P.	1	1
24	901-11	Deck 11 H.P.	1	1
25	938	Bolt Grade 5 7/16-20 N.F. x 1 3/4	1	1
26	940	Lock Washer 7/16 - Split	1	1
27	950	Heavy Washer	1	1
28	951	Internal/External Lock Washer	1	1
29	915	Machine Key	1	1
31	927	Intake Guard Clamp	1	1
32	969-11	Bracket Engine to Housing	1	1
33	114C	Nylon Lock Nut 5/16-18	9	9
34	972	Lock Nut 1/4-20	1	1
35	900901	Throttle Control	1	1
36	378	Hex Head Cap Screw 1/4-20 x 1 1/2	1	1
37/40	900300	Upper Handle with Grips	1	1
37	900301	Upper Handle	1	1
38	113	Hex Head Screw 5/16-18x1 1/2	4	4
39	946	Throttle Clip	1	1
40	900302	Grip Set	1	1
41	916-2	Lower Handle	2	2
42	312	Retaining Rings	2	2
43	934-1	10" Offset Wheels (Rear)	2	2
45	932-1	Axle	1	1
46	129D	Lock Washer 5/16	4	4
47	942	Hex Head Cap Screw 5/16-18 x 1 3/4	8	8
	948-11	Engine 11 H.P.	1	-
	948-11/C	Engine 11 H.P. 1/C	-	1
50	900601	Blower Model Label 9111P	1	-
50	900602	Blower Model Label 9111PIC	-	1
51	961	Label Warning	1	1
52	683	Label Warning	1	1
53	4036	Decibel Warning Label	1	1
54	900405	Front Wheel Bracket Spacer	2	2
56	900503	5/16 Washers (Yellow Plated)	8	8
57	900502	10-32 x 5 1/4 Bolts	6	6

**Little Wonder®**

1028 Street Road • P.O. Box 38 • Southampton, PA 18966 • (215) 357-5110 • Fax: (215) 357-8045

# BLOWER CATALOG #9111P and 9111PI/C



## ASSEMBLY INSTRUCTIONS FOR THE 9111P and 9111PI/C

**NOTE:** Numbers in brackets (-) represent key Numbers shown on Parts List, and parts explosion in the manual.

- A. Install lower handles (41) on top of deck (2 places). Secure, finger tight, with four cap screws (47), four silver washers (18) and four lock nuts (33).
- B. Install upper handle (37) with four cap screws (38), eight yellow plated washers (56) and four lock nuts (33). Tighten lower handle nuts and bolts. Tighten upper handle nuts and bolts until the lower handle tubing pinches the upper handle. It will be normal for the lower handle to crush slightly.
- C. Attach throttle with cap screw (36) and nut (34) thru hole on either right or left side of upper handles (37), and connect throttle clip (39) to upper handles (37).
- D. Tilt blower back on handle and install front wheel housing (6) to three studs on lower front of blower housing. Secure with three flange nuts (4)
- E. Insert axle sleeve (8) in wheel (7) and install on front wheel housing (6) with axle bolt (5), secure with axle nut (9).

## OPERATING INSTRUCTIONS:

Be sure to read the Briggs & Stratton or Honda instruction manual packed with your unit.

### "Do Not Forget To Put Oil In Your Engine"

Your **Little Wonder** Blower eliminates the drudgery usually associated with the manual operated tool such as a rake or broom, and is very easy to use.

Leaves, thatch or other debris can be directed into windrows or piles, by simply maneuvering the unit and directing the flow of air accordingly.

Air flow can be directed to the side or front by the two-position deflector. The front discharge position is used to remove debris from along walls, fences, etc. The side discharge position is used to form windrows or piles. The horizontal deflector directs air downward to "chisel" under wet, heavy leaves and litter. The velocity is regulated by the throttle control.

For best performance, be sure engine recoil starter assembly, the blower intake and outlet areas, or hose accessories are clear and free of leaves or other debris.

## USER MAINTENANCE INSTRUCTIONS:

1. Keep all nuts, bolts, and screws tight.
2. Never store the Blower with fuel in the fuel tank inside a building where fumes may reach an open flame or sparks, or in a confined space.
3. Always refer to the instruction manual for important details if the product is to be stored for an extended period.
4. **CAUTION** - After approximately the first three (3) to four (4) hours of operation, tighten the bolt holding the fan to a torque of 40 foot pounds or 480 inch pounds. "LOCTITE" 242 has been used on the engine shaft to secure the fan on the shaft.
5. Engine - 4 cycle. (Refer to engine manufacturer's operating instructions for fuel recommendations and additional information).
6. Tires - Tubeless. Inflate to air pressure of 30 P.S.I.
7. Labels should be inspected before each use. Replace damaged labels immediately.

## DIRECTIONS FOR FAN REMOVAL:

(This procedure must be done by qualified personnel)

1. Remove all bolts and nuts securing the engine deck and blower housing.
2. Remove intake guard and front panel.
3. Remove bolt securing fan to engine crankshaft.
4. The fan has a 3/4-10 nut welded on the fan hub. Insert a 3/4-10 bolt and jack or push the engine off the fan. In some instances, it may be necessary to apply heat in area of fan hub as Loctite 242 has been used to secure the fan engine crankshaft. Be careful not to overheat.
5. Reassemble with Loctite 242 to insure a snug fit.

## PARTS:

All replacement parts may be ordered thru your local dealer or distributor. For additional information on obtaining replacement parts contact:

### **Little Wonder**

1028 Street Road, Southampton, PA 18966  
Phone (215) 357-5110 Fax (215) 357-8045

## FEATURES:

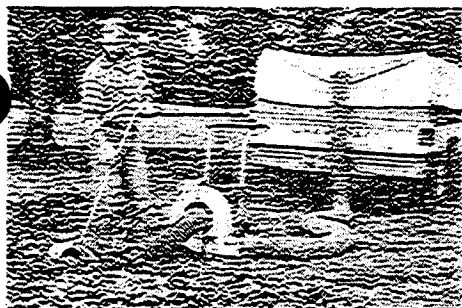
- 35% greater air power.
- Smooth-rolling big front wheel for easy operation on uneven ground.
- Heavy gauge 3"16" steel plate deck. Blower housing is 12 gauge steel with arc welded seams.
- Recoil starter handle in the clear for right or left hand starting.
- Low-tone mufflers for noise dampening.
- Dual element air cleaner.
- Heavy duty handle with anti-vibration grip.
- 5 year warranty on fan and handle assembly.
- Right or left handed throttle control.

## MANY USES:

The extreme versatility offered by **Little Wonder's** line of blowers makes them ideally suited for a wide variety of jobs - blowing leaves, grass clippings, and thatch, blowing tennis courts dry, cleaning large driveways, stadiums, parking lots and other hard surfaces, and precleaning roofs before repair.

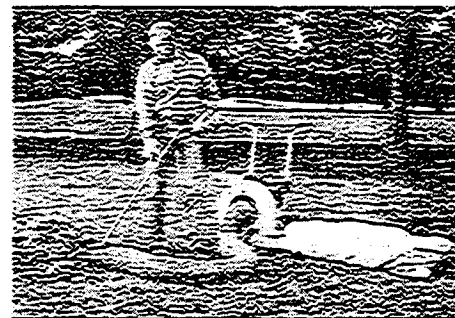
By simply adding an attachment, you can convert any model blower into an effective vacuum. See back page for details.

**ATTACHMENTS:** Due to the adaptability and versatility of the *Little Wonder* Blower, several options and accessories are available as illustrated below.



6" diameter x 10 foot long intake hose (Cat. #9015) and 6" diameter x 20 foot long truck loader hose (Cat. #9022).

(Cat. #9016) 6" Diameter x 10 foot long intake hose with bagging attachment.



### ATTACHMENTS — ACCESSORIES

### STORAGE AFTER USE

CAT #	DESCRIPTION
9015	Standard intake hose (6" I.D. x 10'-0" L.G.) with handle and mounting flange.
9016	Standard intake hose with bagging attachment.
9018	Heavy duty intake hose with wear strip (6" I.D. x 10'-0" L.G.) with handle and mounting flange.
9019	Bagging attachment (no hose included).
9022	Loading hose (6" I.D. x 20'-0" L.G.).
984	Bag.
<b>For models 9111P &amp; 9111PIC only:</b>	
9116	11 H.P. standard intake hose with bag attachment.
9119	11 H.P. bag attachment (no hose).
9122	11 H.P. Load hose.

Inspect and adjust every part of the unit.

- Completely clean every part and repair, if necessary.
- Apply thin coating of clean oil on metal parts to prevent rust.
- Remove hose accessories from blower (if applicable).
- Place throttle control in the "stop" position.

Refer to engine manufacturer's "Operating and Maintenance Instructions", for procedures on how to service and prepare the engine for storage.

Store in a dry area, free from dust.

## LIMITED SERVICE & WARRANTY POLICY

All *Little Wonder* blowers are guaranteed against defects in material and workmanship for a period of ONE YEAR FROM DATE OF PURCHASE when used for RESIDENTIAL SERVICE, NINETY DAYS FROM DATE OF PURCHASE for COMMERCIAL SERVICE. Fan and handle assembly on blowers are warranted separately for A FIVE YEAR PERIOD FROM DATE OF PURCHASE for Residential and Commercial use. Models 9111P and 9111PIC have a five year warranty on the entire unit (except the engine). Any *Little Wonder* product or part found to be defective within the warranty period are to be returned to your local authorized *Little Wonder* dealer.

Transportation charges on parts and units submitted for replacement under this warranty must be borne by purchaser.

Engines or gas powered blowers are warranted separately by the engine manufacturer. Therefore, there are no warranties made, expressed or implied, for engines of gas powered blowers by *Little Wonder* made for engines used on *Little Wonder* blowers.

THIS WARRANTY shall not be effective if the product has been the subject of misuse, negligence or accident, or, if the product has been repaired or altered by anyone other than your local authorized *Little Wonder* dealer in any respect which affects its condition or operation.

*Little Wonder* shall not be liable for any special indirect or consequential damages arising from defective equipment. Any implied warranty, including merchantability or fitness for a particular purpose, shall not extend beyond the written period.

THIS WARRANTY shall only be effective if the enclosed warranty card is properly filled out and returned to *Little Wonder*, Division of Schiller-Pfeiffer, Inc., 1028 Street Road, Southampton, PA 18966 at time of purchase.

 **Warning:** The engine exhaust from this product contains chemicals known to the State of California to cause cancer, birth defects or other reproductive harm.