

# LITTLE WONDER®

Assembly Instructions  
for

## Pneumatic Wheel Kit (Item #9020) For Use With All Little Wonder Blowers

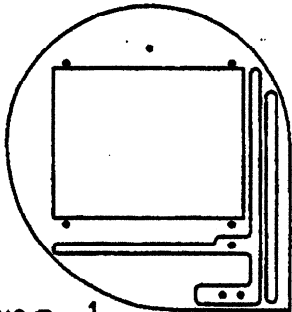


Figure 1.

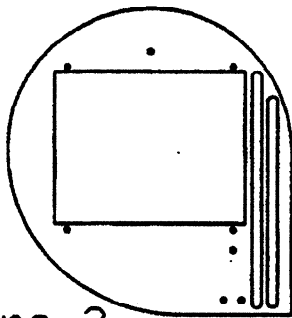


Figure 2.

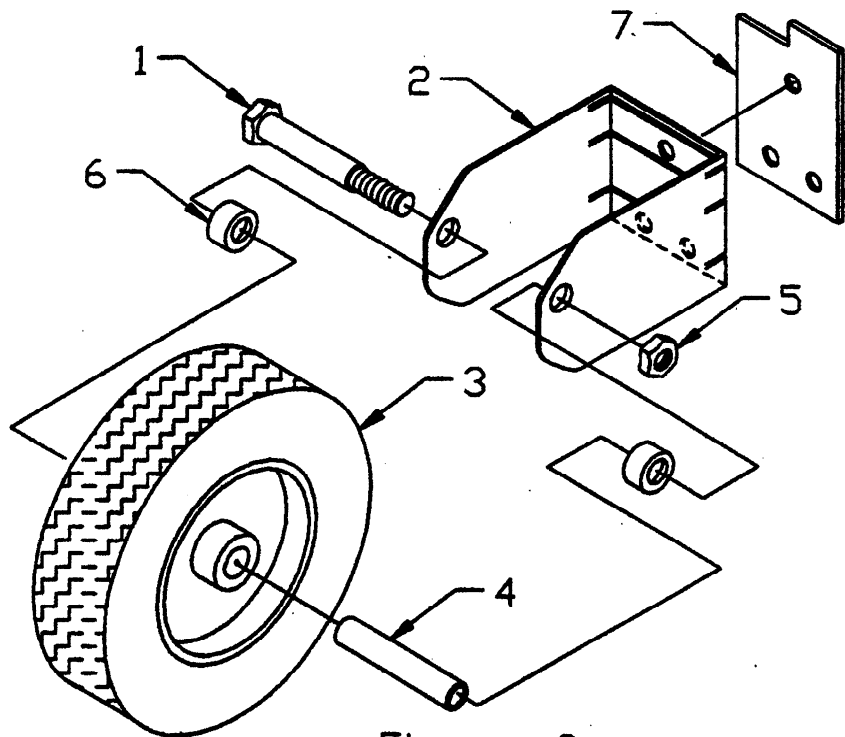


Figure 3.

### Parts List

Key Number	Part Number	Description	Quantity
1	900501	Front Axle Bolt 3/8-16 x 5 1/4	1
2	900401	Wheel Housing	1
3	934	10" Symmetrical Wheel	1
4	900404	Front Wheel Sleeve	1
5	102B	Lock Nut 3/8-16	1
6	900405	Front Wheel Bracket Spacer	2
7	901001	Bracket Adapter	1

Figure 2.



### Assembly Instructions

- A) Tilt blower back on handle and remove front wheel and wheel housing. Study both figures 1 and 2 showing the front panel of the leaf blower. If your blower front panel looks like figure 1, DO NOT use the bracket adapter (Key 7). If your blower front panel looks like figure 2, place the bracket adapter (Key 7) onto the front panel first with the notched corner toward the left.
- B) Install the pneumatic front wheel housing onto the three studs and secure the three flange nuts.
- C) Insert front wheel sleeve (Key 4) in wheel (Key 3).
- D) Place one Wheel Bracket Spacer (Key 6) over each exposed end of the Wheel Sleeve. Install in Wheel Housing (Key 2) with Front Axle Bolt (Key 1). Secure with Lock Nut (Key 5).